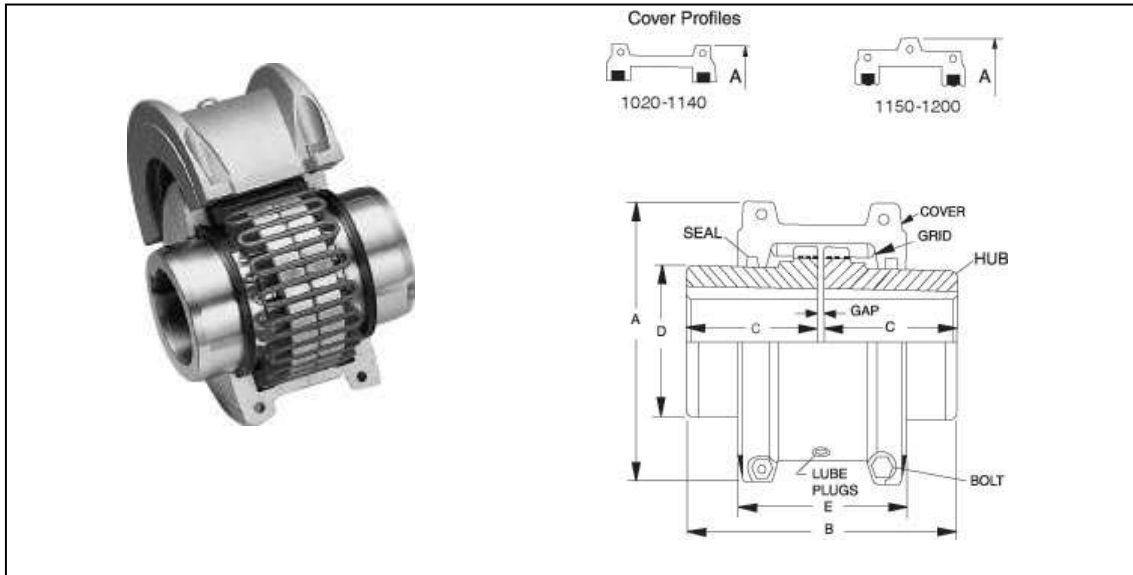


## ACOPLAMENTO DE GRADE VULKAN

### FORMA GTH



Tam	HP por 100 rpm	Rot. Max. (rpm)	Torque nominal (N.m)	Dia. Furo (mm)		Dimensões (mm)					Gap / Folga (mm)			Peso do acopl (kg)	Peso do lubri. (kg)
				Max.	Min.	A	B	C	D	E	Min.	Nor	Max.		
1020	0.68	4500	52	30	12	101.6	98.0	47.5	39.7	66.5	1.5	3	4.5	1.9	0.03
1030	1.93	4500	149	35	12	110.0	98.0	47.5	49.2	68.3	1.5	3	4.5	2.6	0.03
1040	3.22	4500	249	43	12	117.5	104.6	50.8	57.1	70.0	1.5	3	4.5	3.4	0.05
1050	5.63	4500	435	50	12	138.0	123.6	60.3	66.7	79.5	1.5	3	4.5	5.4	0.05
1060	8.85	4350	684	55	19	150.5	130.0	63.5	76.2	92.0	1.5	3	4.5	7.3	0.09
1070	13	4125	994	65	19	161.9	155.4	76.2	87.3	95.0	1.5	3	4.5	10	0.11
1080	27	3600	2050	78	27.0	194.0	180.8	88.9	104.8	116.0	1.5	3	4.5	18	0.17
1090	48	3600	3730	95	27.0	213.0	199.9	98.4	123.8	122.0	1.5	3	6	25	0.25
1100	81	2400	6280	107	41	250.0	245.7	120.6	142.0	155.5	1.5	3	6	42	0.43
1110	121	2250	9320	117	41	270.0	258.5	127.0	160.3	161.5	1.5	4.5	9.5	54	0.51
1120	177	2025	13700	136	60	308.0	304.4	149.2	179.4	191.5	1.5	4.5	9.5	81	0.73
1130	257	1800	19900	165	67	346.0	329.8	161.9	217.5	195.0	1.5	6	12.5	121	0.91
1140	370	1650	28600	184	67	384.0	371.6	182.8	254.0	201.0	1.5	6	12.5	178	1.13
1150	515	1500	39800	203	108	453.1	371.8	182.9	269.2	271.3	1.5	6	12.5	234	1.95
1160	724	1350	55900	228	120.7	501.4	402.2	198.1	304.8	278.9	1.5	6	12.5	317	2.81
1170	965	1225	74600	279	133.4	566.4	437.8	215.9	355.6	304.3	1.5	6	12.5	448	3.49
1180	1338	1100	103000	311	152.4	629.9	483.6	238.8	393.7	321.1	1.5	6	12.5	619	3.76
1190	1770	1050	137000	339	152.4	675.6	524.2	259.1	436.9	325.1	1.5	6	12.5	776	4.40
1200	2413	900	186000	361	177.8	756.9	564.8	279.4	497.8	355.6	1.5	6	12.5	1.057	5.62