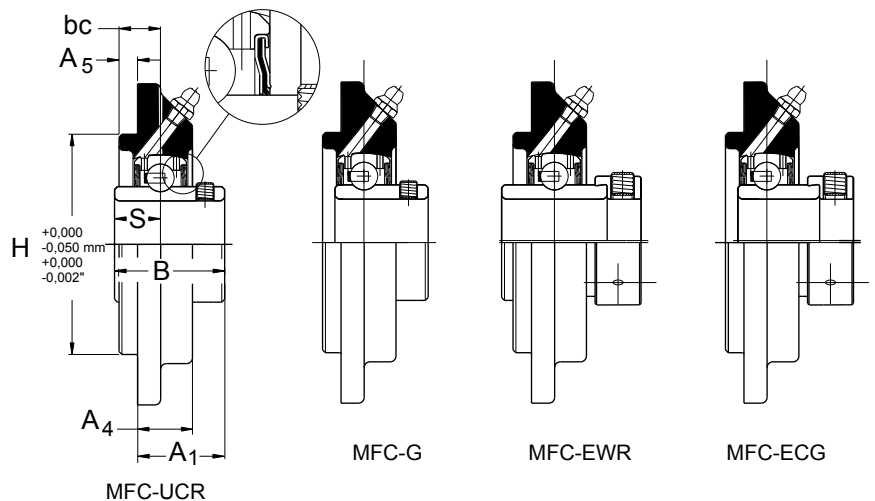
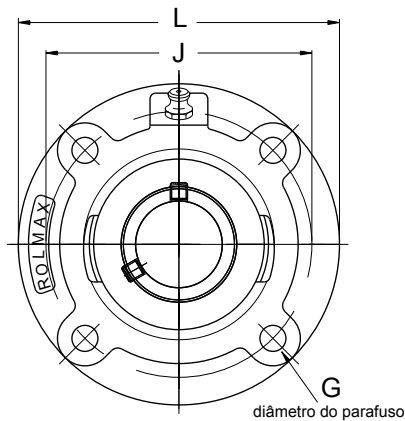




Unidades de Rolamentos com Mancais Tipo Flange com Guia MFC



Diâmetro do eixo		Conjunto	Série do rolamento opcional p/ montagem (+)				Dimensões em milímetros e polegadas										Mancal	Rolamento Base	Peso kg Médio
mm	polegada		UCR	EWR	G	ECG	L	H	J	G	A ₁	A ₄	A ₅	B	S	bc			
25	-	MFC-25	+																
30	-	MFC-30	+	+	+	+	111,10	76,20	92,08	8	30,14	19	6,40	38,10	15,88	14,32			
	7/8	MFC-7/8	+				4.374	3.000	3.625	5/16	1.186	0.748	0.252	1.500	0.625	0.563			
	1	MFC-1	+																
	1.1/8	MFC-1.1/8	+	+	+	+													
	1.3/16	MFC-1.3/16	+	+	+	+													
	1.1/4	MFC-1.1/4	+	+	+	+													
30	-	MFC-30R	+																
35	-	MFC-35	+	+	+	+	127	85,72	104,78	10	33,32	19	6,40	42,88	17,48	14,32			
	1.3/16	MFC-1.3/16R	+				5.000	3.375	4.125	3/8	1.312	0.750	0.252	1.688	0.688	0.563			
	1.1/4	MFC-1.1/4R	+	+	+	+													
	1.3/8	MFC-1.3/8	+	+	+	+													
	1.7/16	MFC-1.7/16	+	+	+	+													
35	-	MFC-35R	+																
40	-	MFC-40	+	+	+	+	133,40	92,07	111,12	10	38,10	19	6,40	49,23	19,05	14,32			
	1.3/8	MFC-1.3/8R	+				5.252	3.625	4.375	3/8	1.500	0.750	0.252	1.938	0.750	0.563			
	1.7/16	MFC-1.7/16R	+																
	1.1/2	MFC-1.1/2	+	+	+	+													
45	-	MFC-45	+																
50	-	MFC-50	+	+	+	+	155,60	107,95	130,18	10	39,67	19	6,40	51,59	19,05	13,53			
	1.11/16	MFC-1.11/16	+				6.126	4.250	5.125	3/8	1.562	0.750	0.252	2.031	0.750	0.563			
	1.3/4	MFC-1.3/4	+																
	1.7/8	MFC-1.7/8	+	+	+	+													
	1.15/16	MFC-1.15/16	+	+	+	+													
	2	MFC-2	+	+	+	+													
50	-	MFC-50R	+	+															
55	-	MFC-55	+	+															
	1.7/8	MFC-1.7/8R	+				161,90	114,30	136,52	10	39,67	19	6,40	55,55	22,22	12,74			
	1.15/16	MFC-1.15/16R	+				6.374	4.500	5.375	3/8	1.562	0.750	0.252	2.187	0.875	0.500			
	2	MFC-2R	+	+															
	2.1/8	MFC-2.1/8	+	+															
	2.3/16	MFC-2.3/16	+	+															
55	-	MFC-55R	+																
60	-	MFC-60	+	+			181	127	152,40	12	45,17	21	9,50	65,07	25,40	15			
	2.3/16	MFC-2.3/16R	+				7.125	5.000	6.000	1/2	1.778	0.826	0.374	2.562	1.000	0.590			
	2.1/4	MFC-2.1/4	+	+															
	2.3/8	MFC-2.3/8	+	+															
	2.7/16	MFC-2.7/16	+	+															
60	-	MFC-60R	+	+															
65	-	MFC-65	+	+															
70	-	MFC-70	+	+			193,70	139,70	165,10	12	47,70	21	12,70	74,63	30,23	16			
	2.7/16	MFC-2.7/16R	+	+			7.626	5.500	6.500	1/2	1.877	0.826	0.500	2.938	1.190	0.630			
	2.1/2	MFC-2.1/2	+	+															
	2.5/8	MFC-2.5/8	+	+															
	2.11/16	MFC-2.11/16	+	+															
65	-	MFC-65R	+	+															
70	-	MFC-70R	+	+															
75	-	MFC-75	+	+			222,20	161,92	190,50	16	50,80	25	12,70	77,77	33,35	19			
	2.11/16	MFC-2.11/16R	+	+			8.748	6.375	7.500	5/8	2.000	0.984	0.500	3.062	1.313	0.748			
	2.3/4	MFC-2.3/4	+	+															
	2.7/8	MFC-2.7/8	+	+															
	2.15/16	MFC-2.15/16	+	+															
	3	MFC-3	+	+															
75	-	MFC-75R	+																
80	-	MFC-80	+	+			222,20	161,92	190,50	16	55,58	25	12,70	82,55	33,35	19			
	2.15/16	MFC-2.15/16R	+				8.748	6.375	7.500	5/8	2.189	0.984	0.500	3.250	1.313	0.748			
	3	MFC-3R	+																
	3.3/16	MFC-3.3/16	+																
	3.1/4	MFC-3.1/4	+																
85	-	MFC-85	+																
90	-	MFC-90	+				260,40	187,32	219,08	20	67,46	29,40	12,70	96,04	39,73	23,85			
	3.7/16	MFC-3.7/16	+				10.252	7.375	8.625	3/4	2.656	1.156	0.500	3.781	1.564	0.938			
	3.1/2	MFC-3.1/2	+																
95	-	MFC-95	3095 G																
100	-	MFC-100	3095 G				298,40	228,60	260,35	20	88,90	46	12,70	117,48	49,25	33,37			
	3.15/16	MFC-3.15/16	3095 G				11.748	9.000	10.250	3/4	3.500	1.812	0.500	4.625	1.939	1.314			
	4	MFC-4	3095 G																