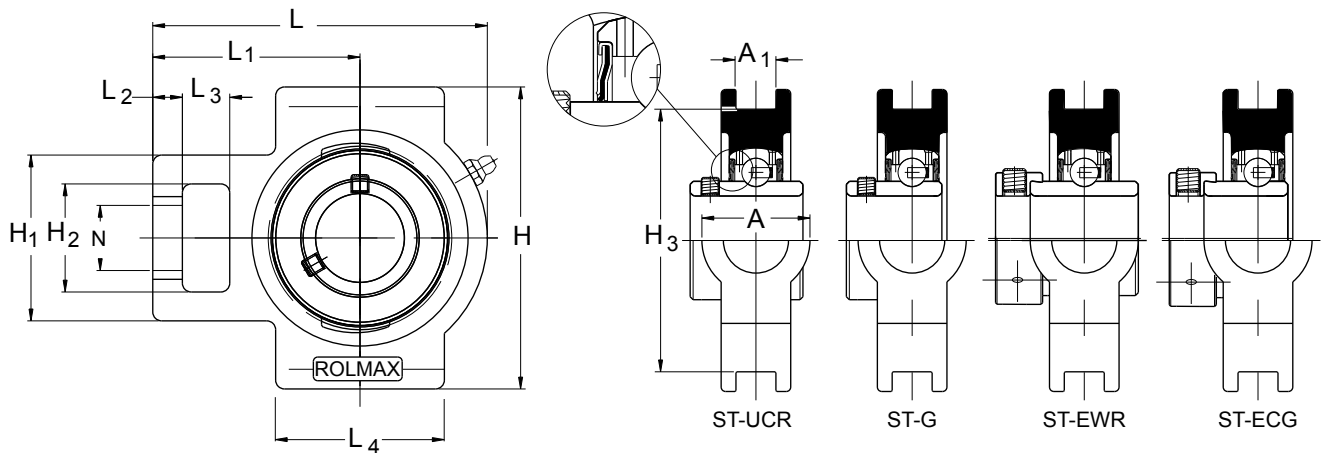




Unidades de Rolamentos com Mancais em FoFo Nodular Tipo Esticador ST



Diâmetro do eixo		Conjunto	Série do rolamento opcional p/ montagem (+)				Dimensões em milímetros e polegadas													Mancal	Rolamento Base	Peso kg Médio
mm	polegada		UCR	EWR	G	ECG	L	L 1	L 2	L 3	L 4	H	H 1	H 2	H 3	A	A 1	N				
20	-	ST-20	+	+	+	+	94	61	10	16	51	89	51	32	76	32	13,50	19	T-2	204 / 1220	0,80	
-	3/4	ST-3/4	+	+	+	+	3.701	2.401	0.394	0.630	2.008	3.504	2.008	1.260	2.992	1.260	0.532	0.748				
25	-	ST-25	+	+	+	+	97	62	10	16	51	89	51	32	76	32	13,50	22	T-3	205 / 1225	0,87	
-	7/8	ST-7/8	+	+	+	+	3.819	2.441	0.394	0.630	2.008	3.504	2.008	1.260	2.992	1.260	0.532	0.867				
-	15/16	ST-15/16	+	+	+	+																
-	1	ST-1	+	+	+	+																
30	-	ST-30	+	+	+	+	113	70	10	16	57	102	56	36,50	88,70	36,50	13,50	22	T-4	206 / 1230	1,10	
-	1.1/8	ST-1.1/8	+	+	+	+	4.449	2.756	0.394	0.630	2.244	4.016	2.205	1.437	3.492	1.437	0.532	0.867				
-	1.3/16	ST-1.3/16	+	+	+	+																
-	1.1/4	ST-1.1/4	+	+	+	+																
35	-	ST-35	+	+	+	+	129	78	13	16	64	102	64	36,50	88,70	36,50	13,50	22	T-5	207 / 1235	1,67	
-	1.3/8	ST-1.3/8	+	+	+	+	5.079	3.071	0.512	0.630	2.520	4.016	2.520	1.437	3.492	1.437	0.532	0.867				
-	1.7/16	ST-1.7/16	+	+	+	+																
40	-	ST-40	+	+	+	+	143	89	16	19	82	114	82	49	101,50	49	17,50	28,50	T-6	208 / 1240	2,53	
-	1.1/2	ST-1.1/2	+	+	+	+	5.629	3.504	0.630	0.748	3.229	4.488	3.229	1.929	3.995	1.929	0.689	1.122				
45	-	ST-45	+	+	+	+	145	87,50	16	19	83	117,50	82	49	101,50	49	17,50	28,50	T-7	209 / 1245	2,40	
-	1.5/8	ST-1.5/8	+	+	+	+	5.709	3.444	0.630	0.748	3.268	4.626	3.229	1.929	3.996	1.929	0.689	1.122				
-	1.11/16	ST-1.11/16	+	+	+	+																
-	1.3/4	ST-1.3/4	+	+	+	+																
50	-	ST-50	+	+	+	+	149	90	16	19	86	117,50	82	49	101,50	49	17,50	28,50	T-8	210 / 1250	2,65	
-	1.7/8	ST-1.7/8	+	+	+	+	5.866	3.544	0.629	0.748	3.386	4.626	3.229	1.929	3.996	1.929	0.689	1.122				
-	1.15/16	ST-1.15/16	+	+	+	+																
-	2	ST-2	+	+	+	+																
55	-	ST-55	+	+			171,50	106,50	19	25,50	95	146	101	63,50	130	63,50	27	34,50	T-9	211	4,25	
-	2.1/8	ST-2.1/8	+	+			6.752	4.193	0.748	1.004	3.740	5.748	3.977	2.500	5.118	2.500	1.063	1.358				
-	2.3/16	ST-2.3/16	+	+																		
60	-	ST-60	+	+			194	119,50	19,50	32	101	146	101	63,50	130	63,50	27	34,50	T-10	212	5,22	
-	2.1/4	ST-2.1/4	+	+			7.638	4.705	0.768	1.260	3.977	5.748	3.977	2.500	5.118	2.500	1.063	1.358				
-	2.3/8	ST-2.3/8	+	+																		
-	2.7/16	ST-2.7/16	+	+																		
70	-	ST-70	+	+			224	137	21	32	120	167	111	70	150,70	70	27	41	T-11	214	7,80	
-	2.5/8	ST-2.5/8	+	+			8.819	5.394	0.827	1.260	4.725	6.575	4.370	2.756	5.933	2.756	1.063	1.614				
-	2.11/16	ST-2.11/16	+	+																		
75	-	ST-75	+	+			232	140	21	32	120	167	111	70	150,70	70	27	41	T-12	215	8,31	
-	2.3/4	ST-2.3/4	+	+			9.134	5.512	0.827	1.260	4.725	6.575	4.370	2.756	5.933	2.756	1.063	1.614				
-	2.7/8	ST-2.7/8	+	+																		
-	2.15/16	ST-2.15/16	+	+																		
-	3	ST-3	+	+																		
80	-	ST-80	+	+			235	140	21	32	120	184	111	70	165	70	27	41	T-13	216	8,67	
-	3.3/16	ST-3.3/16	+	+			9.252	5.512	0.827	1.260	4.725	7.244	4.370	2.756	6.496	2.756	1.063	1.614				
-	3.1/4	ST-3.1/4	+	+																		
85	-	ST-85	+	+			260	162	29	38	157	198	124	73	173	79	46	47,50	T-14	217	13,10	
-	3.3/8	ST-3.3/8	+	+			10.237	6.378	1.142	1.496	6.181	7.795	4.882	2.874	6.811	3.110	1.811	1.870				
-	3.7/16	ST-3.7/16	+	+																		