



BHTS ZZ C4 200°

## Ball Bearings for High Temperature

The BHTS ZZ C4 200° ball bearings are developed based on the structure of a standard bearing but with appropriate treatment of stabilization, radial clearance, greases and ZZ shields which make them suitable for operation from -30° to +200°C. Their application range is extremely wide and covers almost all areas of application, in particular, the BHTS ZZ C4 200° bearings allow a unique range of safety in all applications where they can also occur temporarily and for reasons not dependent on the will of the designer phenomena occasional overheating.

The current trend of globalization of supply often creates situations of application of products not predictable and not calculable; the BHTS ZZ C4 200° bearing allows total security impossible with standard products and allows for safe use up to 200°C degrees. The BHTS ZZ C4 200° is exactly identical to BHTS 2RS C4 VT 200°, with the only difference of having the ZZ shields which allows a considerable cost savings compared to sheet steel with Viton seal.

### Technical characteristics:

Bearing material: steel AISI 52100 (Chrome) stabilized to the application  
Radial Clearance C4  
Shields type ZZ  
Lubricated with grease for temperatures up to 200°C

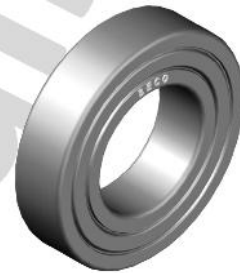
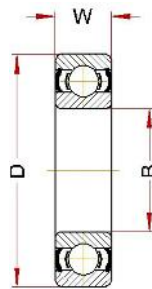
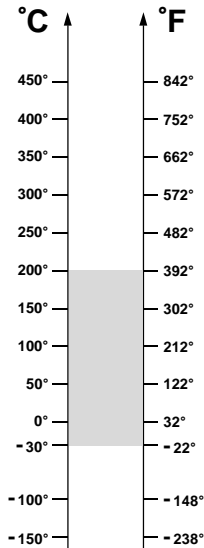
### Fields of application:

Air conveyors  
Industrial Fans  
Packaging machinery  
Steel industry  
Ceramic industry  
Papermaking industry



# BHTS ZZ C4 200° (61800 Serie)

## Ball Bearings for High Temperature



OPERATING RANGE: -30° / 200°C

ECONOMIC OPERATING RANGE: 120° / 200°C

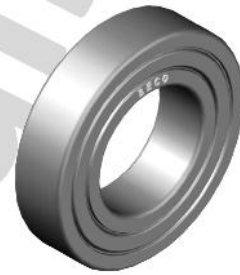
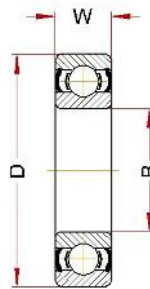
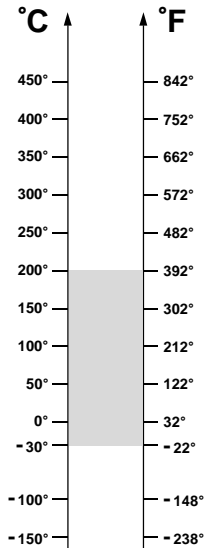
Designation	Bore (B)	Diam (D)	Width (W)	Weight, g	Limiting Speed, RPM	Static Load, kN at 200°C	Static Load, kN at 20°C
61800 BHTS ZZ C4 200°	10	19	5	6	6000	0,47	0,53
61801 BHTS ZZ C4 200°	12	21	5	7	6000	0,85	0,95
61802 BHTS ZZ C4 200°	15	24	5	8	6000	1,12	1,25
61803 BHTS ZZ C4 200°	17	26	5	9	6000	1,30	1,45
61804 BHTS ZZ C4 200°	20	32	7	18	5600	2,01	2,24
61805 BHTS ZZ C4 200°	25	37	7	24	5400	2,52	2,80
61806 BHTS ZZ C4 200°	30	42	7	27	5000	3,00	3,35
61807 BHTS ZZ C4 200°	35	47	7	32	4800	3,20	3,60
61808 BHTS ZZ C4 200°	40	52	7	35	4400	3,80	4,25
61809 BHTS ZZ C4 200°	45	58	7	42	4000	5,04	5,60
61810 BHTS ZZ C4 200°	50	65	7	52	3600	5,60	6,30
61811 BHTS ZZ C4 200°	55	72	9	81	3200	7,60	8,50
61812 BHTS ZZ C4 200°	60	78	10	105	2800	9,90	11,0
61813 BHTS ZZ C4 200°	65	85	10	124	2600	10,8	12,0
61814 BHTS ZZ C4 200°	70	90	10	133	2000	11,2	12,5
61815 BHTS ZZ C4 200°	75	95	10	143	2000	12,0	13,4

**OPERATING RANGE** is the correct technical range in which can be used the bearing with good operating result.

**ECONOMIC OPERATING RANGE** is the range of temperature in which you can find, according to our study experience and know-how, the better relation price - quality life-time.

# BHTS ZZ C4 200° (6000 Serie)

## Ball Bearings for High Temperature



OPERATING RANGE: -30° / 200°C

ECONOMIC OPERATING RANGE: 120° / 200°C

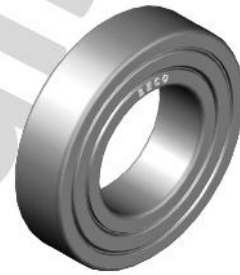
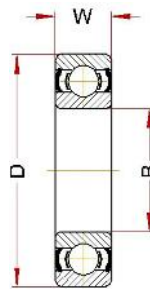
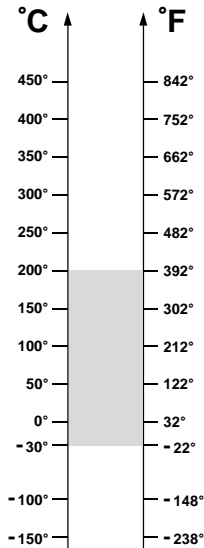
Designation	Bore (B)	Diam (D)	Width (W)	Weight, g	Limiting Speed, RPM	Static Load, kN at 200°C	Static Load, kN at 20°C
6000 BHTS ZZ C4 200°	10	26	8	20	6000	1,7	1,96
6001 BHTS ZZ C4 200°	12	28	8	25	5800	2,1	2,36
6002 BHTS ZZ C4 200°	15	32	9	30	5600	2,5	2,85
6003 BHTS ZZ C4 200°	17	35	10	40	5400	2,9	3,25
6004 BHTS ZZ C4 200°	20	42	12	69	5200	4,5	5,00
6005 BHTS ZZ C4 200°	25	47	12	80	4800	5,2	5,85
6006 BHTS ZZ C4 200°	30	55	13	120	4400	7,2	8,00
6007 BHTS ZZ C4 200°	35	62	14	160	4000	9,3	10,4
6008 BHTS ZZ C4 200°	40	68	15	190	3600	10,6	11,8
6009 BHTS ZZ C4 200°	45	75	16	250	3200	12,8	14,3
6010 BHTS ZZ C4 200°	50	80	16	260	2800	14,0	15,6
6011 BHTS ZZ C4 200°	55	90	18	390	2400	19,0	21,2
6012 BHTS ZZ C4 200°	60	95	18	420	2000	20,8	23,2
6013 BHTS ZZ C4 200°	65	100	18	440	1800	22,5	25,0
6014 BHTS ZZ C4 200°	70	110	20	600	1600	28,3	31,5
6015 BHTS ZZ C4 200°	75	115	20	640	1400	30,6	34,0
6016 BHTS ZZ C4 200°	80	125	22	850	1200	36,0	40,0
6017 BHTS ZZ C4 200°	85	130	22	890	1000	38,7	42,9
6018 BHTS ZZ C4 200°	90	140	24	1150	900	45,0	49,9
6019 BHTS ZZ C4 200°	95	145	24	1200	800	48,6	53,9
6020 BHTS ZZ C4 200°	100	150	24	1250	700	48,6	53,9

**OPERATING RANGE** is the correct technical range in which can be used the bearing with good operating result.

**ECONOMIC OPERATING RANGE** is the range of temperature in which you can find, according to our study experience and know-how, the better relation price - quality life-time.

# BHTS ZZ C4 200° (6200 Serie)

## Ball Bearings for High Temperature



OPERATING RANGE: -30° / 200°C

ECONOMIC OPERATING RANGE: 120° / 200°C

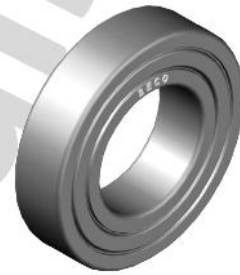
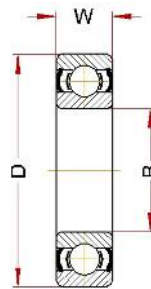
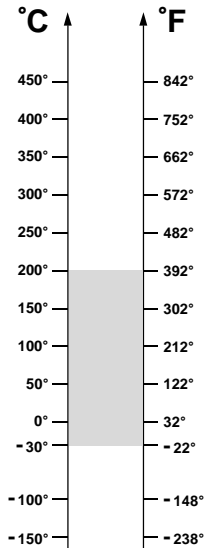
Designation	Bore (B)	Diam (D)	Width (W)	Weight, g	Limiting Speed, RPM	Static Load, kN at 200°C	Static Load, kN at 20°C
6200 BHTS ZZ C4 200°	10	30	9	30	5800	2,3	2,6
6201 BHTS ZZ C4 200°	12	32	10	37	5600	2,8	3,1
6202 BHTS ZZ C4 200°	15	35	11	45	5400	3,3	3,7
6203 BHTS ZZ C4 200°	17	40	12	65	5200	4,2	4,7
6204 BHTS ZZ C4 200°	20	47	14	110	4800	5,9	6,5
6205 BHTS ZZ C4 200°	25	52	15	130	4400	7,2	8,0
6206 BHTS ZZ C4 200°	30	62	16	200	4000	10,0	11,2
6207 BHTS ZZ C4 200°	35	72	17	290	3600	13,7	15,3
6208 BHTS ZZ C4 200°	40	80	18	370	3200	16,2	18,0
6209 BHTS ZZ C4 200°	45	85	19	410	2800	18,3	20,4
6210 BHTS ZZ C4 200°	50	90	20	460	2400	21,6	24,0
6211 BHTS ZZ C4 200°	55	100	21	610	2000	26,1	29,0
6212 BHTS ZZ C4 200°	60	110	22	780	1800	32,4	36,0
6213 BHTS ZZ C4 200°	65	120	23	990	1600	37,3	41,5
6214 BHTS ZZ C4 200°	70	125	24	1040	1400	39,6	44,0
6215 BHTS ZZ C4 200°	75	130	25	1210	1200	44,1	49,0
6216 BHTS ZZ C4 200°	80	140	26	1400	1000	49,5	55,0
6217 BHTS ZZ C4 200°	85	150	28	1800	900	57,6	64,0
6218 BHTS ZZ C4 200°	90	160	30	2150	800	66,1	73,5
6219 BHTS ZZ C4 200°	95	170	32	2600	700	73,3	81,5
6220 BHTS ZZ C4 200°	100	180	34	3150	600	83,7	93,0

**OPERATING RANGE** is the correct technical range in which can be used the bearing with good operating result.

**ECONOMIC OPERATING RANGE** is the range of temperature in which you can find, according to our study experience and know-how, the better relation price - quality life-time.

# BHTS ZZ C4 200° (6300 Serie)

## Ball Bearings for High Temperature



OPERATING RANGE: -30° / 200°C

ECONOMIC OPERATING RANGE: 120° / 200°C

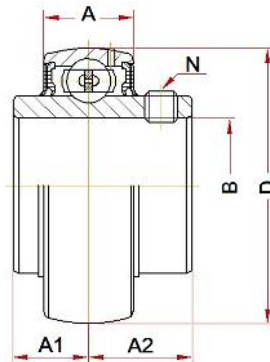
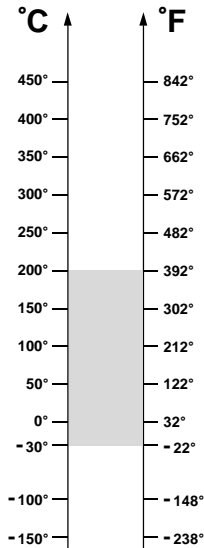
Designation	Bore (B)	Diam (D)	Width (W)	Weight, g	Limiting Speed, RPM	Static Load, kN at 200°C	Static Load, kN at 20°C
6300 BHTS ZZ C4 200°	10	35	11	52	5600	3,1	3,45
6301 BHTS ZZ C4 200°	12	37	12	60	5400	3,7	4,15
6302 BHTS ZZ C4 200°	15	42	13	80	5200	4,8	5,40
6303 BHTS ZZ C4 200°	17	47	14	120	4800	5,8	6,55
6304 BHTS ZZ C4 200°	20	52	15	140	4400	7,6	8,50
6305 BHTS ZZ C4 200°	25	62	17	225	4000	10,2	11,4
6306 BHTS ZZ C4 200°	30	72	19	350	3600	14,6	16,3
6307 BHTS ZZ C4 200°	35	80	21	450	3200	17,1	19,0
6308 BHTS ZZ C4 200°	40	90	23	620	2800	22,5	25,0
6309 BHTS ZZ C4 200°	45	100	25	830	2400	28,8	32,0
6310 BHTS ZZ C4 200°	50	110	27	1050	2000	34,2	38,0
6311 BHTS ZZ C4 200°	55	120	29	1350	1800	42,7	47,5
6312 BHTS ZZ C4 200°	60	130	31	1700	1600	46,8	52,0
6313 BHTS ZZ C4 200°	65	140	33	2100	1400	54,0	60,0
6314 BHTS ZZ C4 200°	70	150	35	2500	1200	61,2	68,0
6315 BHTS ZZ C4 200°	75	160	37	3000	1000	68,8	76,5
6316 BHTS ZZ C4 200°	80	170	39	3600	900	77,8	86,5
6317 BHTS ZZ C4 200°	85	180	41	4250	800	86,8	96,5
6318 BHTS ZZ C4 200°	90	190	43	4900	700	97,2	108
6319 BHTS ZZ C4 200°	95	200	45	5650	600	106,2	118
6320 BHTS ZZ C4 200°	100	215	47	7000	500	126,0	140

**OPERATING RANGE** is the correct technical range in which can be used the bearing with good operating result.

**ECONOMIC OPERATING RANGE** is the range of temperature in which you can find, according to our study experience and know-how, the better relation price - quality life-time.

# BHTS ZZ C4 200° (UC Serie)

## Insert Bearings for High Temperature



OPERATING RANGE: -30° / 200°C

ECONOMIC OPERATING RANGE: 120° / 200°C

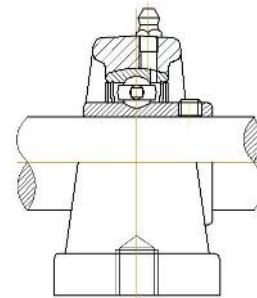
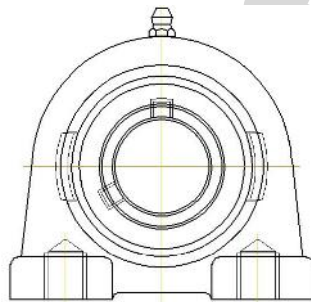
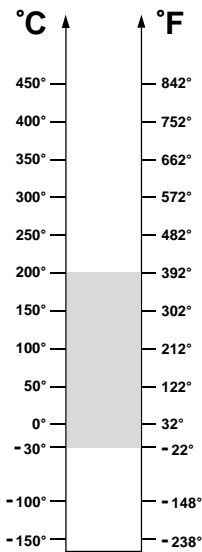
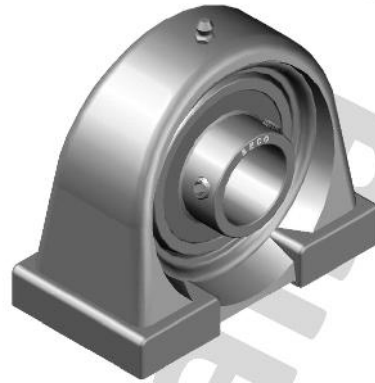
Designation	Bore (B)	Diam (D)	A	A1	A2	N	Weight, g	Limiting Speed, RPM	Static Load, kN at 200°C	Static Load, kN at 20°C
UC 201 BHTS ZZ C4 200°	12	47	13 ± 2	11,5	15,9	M6x0,75	200	1440	6,0	6,6
UC 202 BHTS ZZ C4 200°	15	47	13 ± 2	11,5	15,9	M6x0,75	200	1440	6,0	6,6
UC 203 BHTS ZZ C4 200°	17	47	13 ± 2	11,5	15,9	M6x0,75	200	1440	6,0	6,6
UC 204 BHTS ZZ C4 200°	20	47	15 ± 2	12,7	18,3	M6x0,75	250	1200	6,0	6,6
UC 205 BHTS ZZ C4 200°	25	52	16 ± 1	14,3	19,8	M6x0,75	300	1120	7,09	7,8
UC 206 BHTS ZZ C4 200°	30	62	17 ± 2	15,9	22,2	M6x0,75	350	880	10,19	11,2
UC 207 BHTS ZZ C4 200°	35	72	18 ± 2	17,5	25,4	M8x1,00	500	760	13,73	15,1
UC 208 BHTS ZZ C4 200°	40	80	19 ± 2	19,0	30,2	M8x1,00	700	680	16,55	18,2
UC 209 BHTS ZZ C4 200°	45	85	20 ± 2	19,0	30,2	M8x1,00	800	640	18,73	20,6
UC 210 BHTS ZZ C4 200°	50	90	22 ± 2	19,0	32,6	M10x1,25	900	600	21,00	23,1
UC 211 BHTS ZZ C4 200°	55	100	23 ± 2	22,2	33,4	M10x1,25	1300	536	26,37	29,0
UC 212 BHTS ZZ C4 200°	60	110	24 ± 3	25,4	39,7	M10x1,25	1700	480	29,64	32,6
UC 213 BHTS ZZ C4 200°	65	120	27 ± 5	25,4	39,7	M10x1,25	1900	424	36,19	39,8
UC 214 BHTS ZZ C4 200°	70	125	28 ± 5	30,2	44,4	M12x1,50	2100	400	40,64	44,7
UC 215 BHTS ZZ C4 200°	75	130	29 ± 5	33,3	44,5	M12x1,50	2200	384	44,73	49,2

**OPERATING RANGE** is the correct technical range in which can be used the bearing with good operating result.

**ECONOMIC OPERATING RANGE** is the range of temperature in which you can find, according to our study experience and know-how, the better relation price - quality life-time.

# BHTS ZZ C4 200° (UCPA Serie)

## Pillow Block for High Temperature



\* Dimensions available at PILLOW BLOCK HOUSINGS Pages

**OPERATING RANGE:** -30° / 200°C

**ECONOMIC OPERATING RANGE:** 120° / 200°C

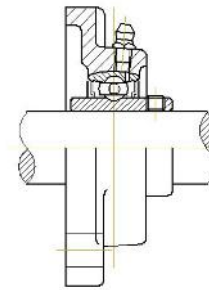
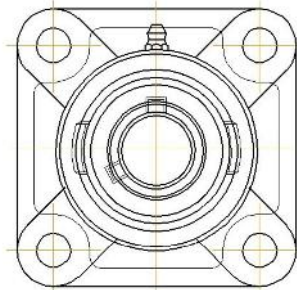
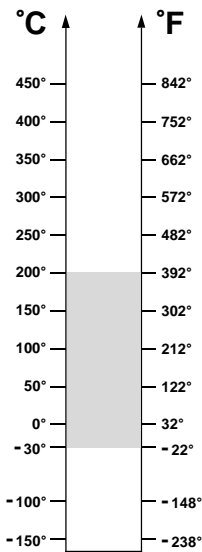
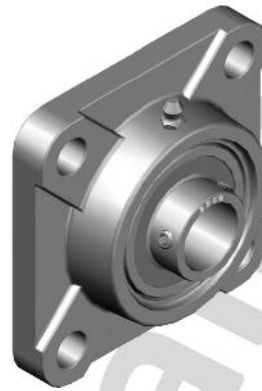
Unit code	Bearing code	Housing code
<b>UCPA 201 BHTS ZZ C4 200°</b>	UC 201 BHTS ZZ C4 200°	PA 204 SS
<b>UCPA 202 BHTS ZZ C4 200°</b>	UC 202 BHTS ZZ C4 200°	PA 204 SS
<b>UCPA 203 BHTS ZZ C4 200°</b>	UC 203 BHTS ZZ C4 200°	PA 204 SS
<b>UCPA 204 BHTS ZZ C4 200°</b>	UC 204 BHTS ZZ C4 200°	PA 204 SS
<b>UCPA 205 BHTS ZZ C4 200°</b>	UC 205 BHTS ZZ C4 200°	PA 205 SS
<b>UCPA 206 BHTS ZZ C4 200°</b>	UC 206 BHTS ZZ C4 200°	PA 206 SS
<b>UCPA 207 BHTS ZZ C4 200°</b>	UC 207 BHTS ZZ C4 200°	PA 207 SS
<b>UCPA 208 BHTS ZZ C4 200°</b>	UC 208 BHTS ZZ C4 200°	PA 208 SS
<b>UCPA 209 BHTS ZZ C4 200°</b>	UC 209 BHTS ZZ C4 200°	PA 209 SS
<b>UCPA 210 BHTS ZZ C4 200°</b>	UC 210 BHTS ZZ C4 200°	PA 210 SS

**OPERATING RANGE** is the correct technical range in which can be used the bearing with good operating result.

**ECONOMIC OPERATING RANGE** is the range of temperature in which you can find, according to our study experience and know-how, the better relation price - quality life-time.

# BHTS ZZ C4 200° (UCF Serie)

## Pillow Block for High Temperature



\* Dimensions available at PILLOW BLOCK HOUSINGS Pages

OPERATING RANGE: -30° / 200°C

ECONOMIC OPERATING RANGE: 120° / 200°C

Unit code	Bearing code	Housing code
UCF 201 BHTS ZZ C4 200°	UC 201 BHTS ZZ C4 200°	F 204 SS
UCF 202 BHTS ZZ C4 200°	UC 202 BHTS ZZ C4 200°	F 204 SS
UCF 203 BHTS ZZ C4 200°	UC 203 BHTS ZZ C4 200°	F 204 SS
UCF 204 BHTS ZZ C4 200°	UC 204 BHTS ZZ C4 200°	F 204 SS
UCF 205 BHTS ZZ C4 200°	UC 205 BHTS ZZ C4 200°	F 205 SS
UCF 206 BHTS ZZ C4 200°	UC 206 BHTS ZZ C4 200°	F 206 SS
UCF 207 BHTS ZZ C4 200°	UC 207 BHTS ZZ C4 200°	F 207 SS
UCF 208 BHTS ZZ C4 200°	UC 208 BHTS ZZ C4 200°	F 208 SS
UCF 209 BHTS ZZ C4 200°	UC 209 BHTS ZZ C4 200°	F 209 SS
UCF 210 BHTS ZZ C4 200°	UC 210 BHTS ZZ C4 200°	F 210 SS
UCF 211 BHTS ZZ C4 200°	UC 211 BHTS ZZ C4 200°	F 211 SS
UCF 212 BHTS ZZ C4 200°	UC 212 BHTS ZZ C4 200°	F 212 SS
UCF 213 BHTS ZZ C4 200°	UC 213 BHTS ZZ C4 200°	F 213 SS
UCF 214 BHTS ZZ C4 200°	UC 214 BHTS ZZ C4 200°	F 214 SS
UCF 215 BHTS ZZ C4 200°	UC 215 BHTS ZZ C4 200°	F 215 SS

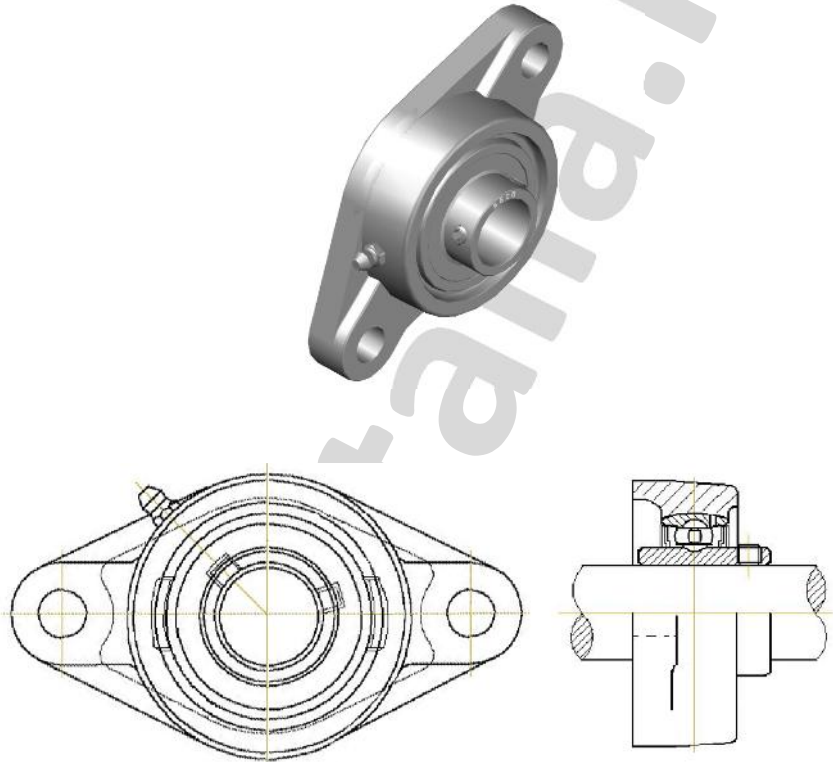
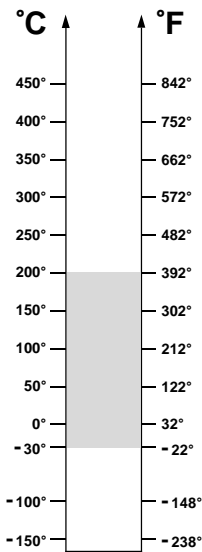
**OPERATING RANGE** is the correct technical range in which can be used the bearing with good operating result.

**ECONOMIC OPERATING RANGE** is the range of temperature in which you can find, according to our study experience and know-how, the better relation price - quality life-time.



# BHTS ZZ C4 200° (UCFL Serie)

## Pillow Block for High Temperature



\* Dimensions available at PILLOW BLOCK HOUSINGS Pages

OPERATING RANGE: -30° / 200°C

ECONOMIC OPERATING RANGE: 120° / 200°C

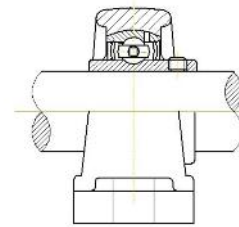
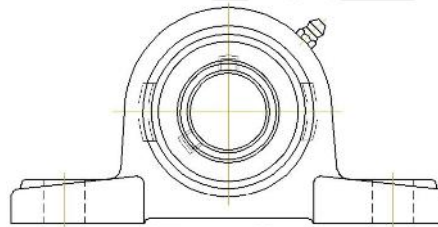
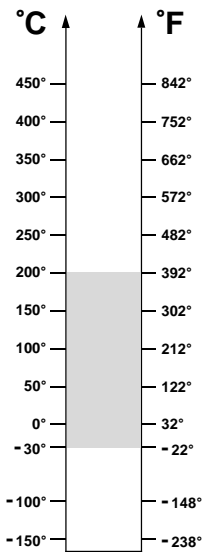
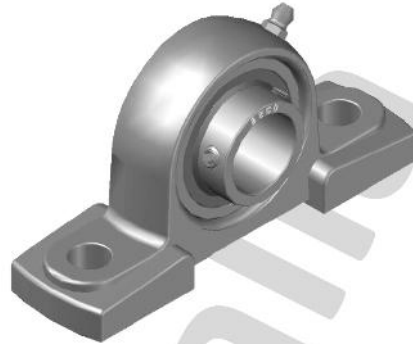
Unit code	Bearing code	Housing code
UCFL 201 BHTS ZZ C4 200°	UC 201 BHTS ZZ C4 200°	FL 204 SS
UCFL 202 BHTS ZZ C4 200°	UC 202 BHTS ZZ C4 200°	FL 204 SS
UCFL 203 BHTS ZZ C4 200°	UC 203 BHTS ZZ C4 200°	FL 204 SS
UCFL 204 BHTS ZZ C4 200°	UC 204 BHTS ZZ C4 200°	FL 204 SS
UCFL 205 BHTS ZZ C4 200°	UC 205 BHTS ZZ C4 200°	FL 205 SS
UCFL 206 BHTS ZZ C4 200°	UC 206 BHTS ZZ C4 200°	FL 206 SS
UCFL 207 BHTS ZZ C4 200°	UC 207 BHTS ZZ C4 200°	FL 207 SS
UCFL 208 BHTS ZZ C4 200°	UC 208 BHTS ZZ C4 200°	FL 208 SS
UCFL 209 BHTS ZZ C4 200°	UC 209 BHTS ZZ C4 200°	FL 209 SS
UCFL 210 BHTS ZZ C4 200°	UC 210 BHTS ZZ C4 200°	FL 210 SS
UCFL 211 BHTS ZZ C4 200°	UC 211 BHTS ZZ C4 200°	FL 211 SS
UCFL 212 BHTS ZZ C4 200°	UC 212 BHTS ZZ C4 200°	FL 212 SS

**OPERATING RANGE** is the correct technical range in which can be used the bearing with good operating result.

**ECONOMIC OPERATING RANGE** is the range of temperature in which you can find, according to our study experience and know-how, the better relation price - quality life-time.

# BHTS ZZ C4 200° (UCP Serie)

## Pillow Block for High Temperature



\* Dimensions available at PILLOW BLOCK HOUSINGS Pages

**OPERATING RANGE:** -30° / 200°C

**ECONOMIC OPERATING RANGE:** 120° / 200°C

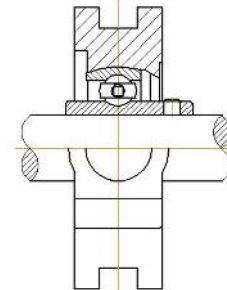
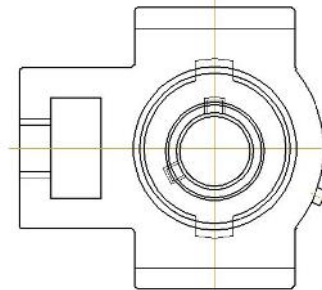
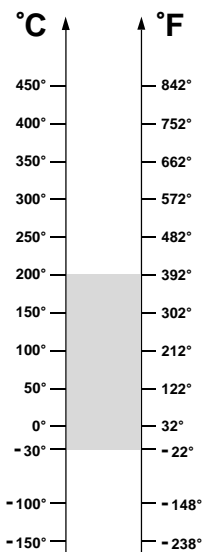
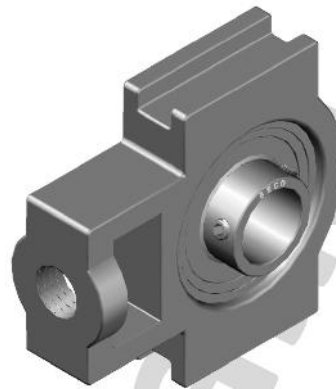
Unit code	Bearing code	Housing code
UCP 201 BHTS ZZ C4 200°	UC 201 BHTS ZZ C4 200°	P 204 SS
UCP 202 BHTS ZZ C4 200°	UC 202 BHTS ZZ C4 200°	P 204 SS
UCP 203 BHTS ZZ C4 200°	UC 203 BHTS ZZ C4 200°	P 204 SS
UCP 204 BHTS ZZ C4 200°	UC 204 BHTS ZZ C4 200°	P 204 SS
UCP 205 BHTS ZZ C4 200°	UC 205 BHTS ZZ C4 200°	P 205 SS
UCP 206 BHTS ZZ C4 200°	UC 206 BHTS ZZ C4 200°	P 206 SS
UCP 207 BHTS ZZ C4 200°	UC 207 BHTS ZZ C4 200°	P 207 SS
UCP 208 BHTS ZZ C4 200°	UC 208 BHTS ZZ C4 200°	P 208 SS
UCP 209 BHTS ZZ C4 200°	UC 209 BHTS ZZ C4 200°	P 209 SS
UCP 210 BHTS ZZ C4 200°	UC 210 BHTS ZZ C4 200°	P 210 SS
UCP 211 BHTS ZZ C4 200°	UC 211 BHTS ZZ C4 200°	P 211 SS
UCP 212 BHTS ZZ C4 200°	UC 212 BHTS ZZ C4 200°	P 212 SS
UCP 213 BHTS ZZ C4 200°	UC 213 BHTS ZZ C4 200°	P 213 SS
UCP 214 BHTS ZZ C4 200°	UC 214 BHTS ZZ C4 200°	P 214 SS
UCP 215 BHTS ZZ C4 200°	UC 215 BHTS ZZ C4 200°	P 215 SS

**OPERATING RANGE** is the correct technical range in which can be used the bearing with good operating result.

**ECONOMIC OPERATING RANGE** is the range of temperature in which you can find, according to our study experience and know-how, the better relation price - quality life-time.

# BHTS ZZ C4 200° (UCT Serie)

## Pillow Block for High Temperature



\* Dimensions available at PILLOW BLOCK HOUSINGS Pages

OPERATING RANGE: -30° / 200°C

ECONOMIC OPERATING RANGE: 120° / 200°C

Unit code	Bearing code	Housing code
UCT 201 BHTS ZZ C4 200°	UC 201 BHTS ZZ C4 200°	T 204 SS
UCT 202 BHTS ZZ C4 200°	UC 202 BHTS ZZ C4 200°	T 204 SS
UCT 203 BHTS ZZ C4 200°	UC 203 BHTS ZZ C4 200°	T 204 SS
UCT 204 BHTS ZZ C4 200°	UC 204 BHTS ZZ C4 200°	T 204 SS
UCT 205 BHTS ZZ C4 200°	UC 205 BHTS ZZ C4 200°	T 205 SS
UCT 206 BHTS ZZ C4 200°	UC 206 BHTS ZZ C4 200°	T 206 SS
UCT 207 BHTS ZZ C4 200°	UC 207 BHTS ZZ C4 200°	T 207 SS
UCT 208 BHTS ZZ C4 200°	UC 208 BHTS ZZ C4 200°	T 208 SS
UCT 209 BHTS ZZ C4 200°	UC 209 BHTS ZZ C4 200°	T 209 SS
UCT 210 BHTS ZZ C4 200°	UC 210 BHTS ZZ C4 200°	T 210 SS
UCT 211 BHTS ZZ C4 200°	UC 211 BHTS ZZ C4 200°	T 211 SS
UCT 212 BHTS ZZ C4 200°	UC 212 BHTS ZZ C4 200°	T 212 SS

**OPERATING RANGE** is the correct technical range in which can be used the bearing with good operating result.

**ECONOMIC OPERATING RANGE** is the range of temperature in which you can find, according to our study experience and know-how, the better relation price - quality life-time.