

BHTS 2RS C3 VT 180°

High Temperature Bearings



6000 SERIE

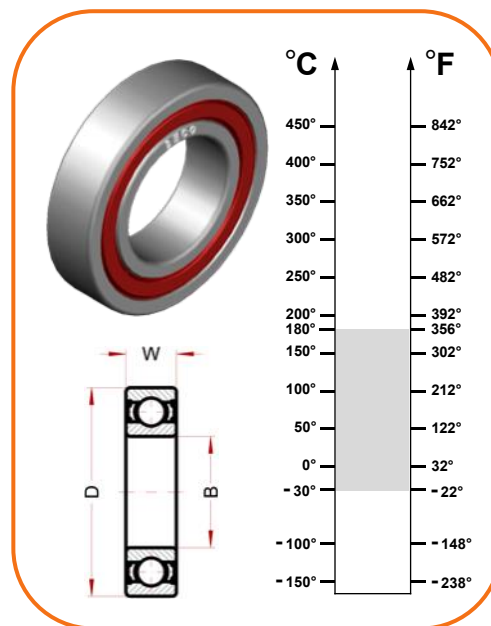
Designation	Bore (B)	Diam (D)	Width (W)	Speed, RPM	Static Load, kN at 180°C	Static Load, kN at 20°C
6000 BHTS 2RS C3 VT 180°	10	26	8	6600	1,76	1,96
6001 BHTS 2RS C3 VT 180°	12	28	8	6380	2,10	2,36
6002 BHTS 2RS C3 VT 180°	15	32	9	6160	2,50	2,85
6003 BHTS 2RS C3 VT 180°	17	35	10	5940	2,90	3,25
6004 BHTS 2RS C3 VT 180°	20	42	12	5720	4,50	5,00
6005 BHTS 2RS C3 VT 180°	25	47	12	5280	5,20	5,85
6006 BHTS 2RS C3 VT 180°	30	55	13	4840	7,20	8,00
6007 BHTS 2RS C3 VT 180°	35	62	14	4400	9,30	10,4
6008 BHTS 2RS C3 VT 180°	40	68	15	3960	10,6	11,8
6009 BHTS 2RS C3 VT 180°	45	75	16	3520	12,8	14,3
6010 BHTS 2RS C3 VT 180°	50	80	16	3080	14,0	15,6

6200 SERIE

Designation	Bore (B)	Diam (D)	Width (W)	Speed, RPM	Static Load, kN at 180°C	Static Load, kN at 20°C
6200 BHTS 2RS C3 VT 180°	10	30	9	6380	2,3	2,60
6201 BHTS 2RS C3 VT 180°	12	32	10	6160	2,8	3,10
6202 BHTS 2RS C3 VT 180°	15	35	11	5940	3,3	3,75
6203 BHTS 2RS C3 VT 180°	17	40	12	5720	4,2	4,75
6204 BHTS 2RS C3 VT 180°	20	47	14	5280	5,9	6,55
6205 BHTS 2RS C3 VT 180°	25	52	15	4840	7,2	8,00
6206 BHTS 2RS C3 VT 180°	30	62	16	4400	10,0	11,2
6207 BHTS 2RS C3 VT 180°	35	72	17	3960	13,7	15,3
6208 BHTS 2RS C3 VT 180°	40	80	18	3520	16,2	18,0
6209 BHTS 2RS C3 VT 180°	45	85	19	3080	18,3	20,4
6210 BHTS 2RS C3 VT 180°	50	90	20	2640	21,6	24,0

6300 SERIE

Designation	Bore (B)	Diam (D)	Width (W)	Speed, RPM	Static Load, kN at 180°C	Static Load, kN at 20°C
6300 BHTS 2RS C3 VT 180°	10	35	11	6160	3,1	3,45
6301 BHTS 2RS C3 VT 180°	12	37	12	5940	3,7	4,15
6302 BHTS 2RS C3 VT 180°	15	42	13	5720	4,8	5,40
6303 BHTS 2RS C3 VT 180°	17	47	14	5280	5,8	6,55
6304 BHTS 2RS C3 VT 180°	20	52	15	4840	7,6	8,50
6305 BHTS 2RS C3 VT 180°	25	62	17	4400	10,2	11,4
6306 BHTS 2RS C3 VT 180°	30	72	19	3960	14,6	16,3
6307 BHTS 2RS C3 VT 180°	35	80	21	3520	17,1	19,0
6308 BHTS 2RS C3 VT 180°	40	90	23	3080	22,5	25,0
6309 BHTS 2RS C3 VT 180°	45	100	25	2640	28,8	32,0
6310 BHTS 2RS C3 VT 180°	50	110	27	2200	34,2	38,0



Technical characteristics:

- Bearing material: steel AISI 52100 (Chrome) stabilized to the application
- Radial Clearance C3
- Seals 2RS in steel with vulcanized rubber for 200°C Viton
- Lubricated for life with grease for temperatures up to 200°C
- Do not need additional lubrication

Fields of application:

- Air conveyors
- Dry Compressors
- Industrial Fans
- Packaging machinery
- Papermaking industry



12100 Cuneo - Italy
 phone: 0039 0171 66883
 fax: 0039 0171 648913
www.becoitalia.biz

BHTS 2RS C4 VT 200°

High Temperature Bearings



6000 SERIE

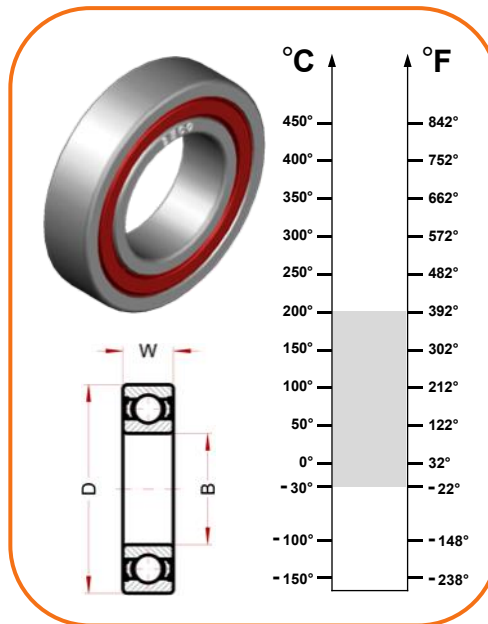
Designation	Bore (B)	Diam (D)	Width (W)	Speed, RPM	Static Load, kN at 200°C	Static Load, kN at 20°C
6000 BHTS 2RS C4 VT 200°	10	26	8	6000	1,76	1,96
6001 BHTS 2RS C4 VT 200°	12	28	8	5800	2,10	2,36
6002 BHTS 2RS C4 VT 200°	15	32	9	5600	2,50	2,85
6003 BHTS 2RS C4 VT 200°	17	35	10	5400	2,90	3,25
6004 BHTS 2RS C4 VT 200°	20	42	12	5200	4,50	5,00
6005 BHTS 2RS C4 VT 200°	25	47	12	4800	5,20	5,85
6006 BHTS 2RS C4 VT 200°	30	55	13	4400	7,20	8,00
6007 BHTS 2RS C4 VT 200°	35	62	14	4000	9,30	10,4
6008 BHTS 2RS C4 VT 200°	40	68	15	3600	10,6	11,8
6009 BHTS 2RS C4 VT 200°	45	75	16	3200	12,8	14,3
6010 BHTS 2RS C4 VT 200°	50	80	16	2800	14,0	15,6
6011 BHTS 2RS C4 VT 200°	55	90	18	2400	19,0	21,2
6012 BHTS 2RS C4 VT 200°	60	95	18	2000	20,8	23,2
6013 BHTS 2RS C4 VT 200°	65	100	18	1800	22,5	25,0
6014 BHTS 2RS C4 VT 200°	70	110	20	1600	28,3	31,5
6015 BHTS 2RS C4 VT 200°	75	115	20	1400	30,6	34,0
6016 BHTS 2RS C4 VT 200°	80	125	22	1200	36,0	40,0
6017 BHTS 2RS C4 VT 200°	85	130	22	1000	38,7	42,9
6018 BHTS 2RS C4 VT 200°	90	140	24	900	45,0	49,9
6019 BHTS 2RS C4 VT 200°	95	145	24	800	48,6	53,9
6020 BHTS 2RS C4 VT 200°	100	150	24	700	48,6	53,9

6200 SERIE

Designation	Bore (B)	Diam (D)	Width (W)	Speed, RPM	Static Load, kN at 200°C	Static Load, kN at 20°C
6200 BHTS 2RS C4 VT 200°	10	30	9	5800	2,3	2,60
6201 BHTS 2RS C4 VT 200°	12	32	10	5600	2,8	3,10
6202 BHTS 2RS C4 VT 200°	15	35	11	5400	3,3	3,75
6203 BHTS 2RS C4 VT 200°	17	40	12	5200	4,2	4,75
6204 BHTS 2RS C4 VT 200°	20	47	14	4800	5,9	6,55
6205 BHTS 2RS C4 VT 200°	25	52	15	4400	7,2	8,00
6206 BHTS 2RS C4 VT 200°	30	62	16	4000	10,0	11,2
6207 BHTS 2RS C4 VT 200°	35	72	17	3600	13,7	15,3
6208 BHTS 2RS C4 VT 200°	40	80	18	3200	16,2	18,0
6209 BHTS 2RS C4 VT 200°	45	85	19	2800	18,3	20,4
6210 BHTS 2RS C4 VT 200°	50	90	20	2400	21,6	24,0
6211 BHTS 2RS C4 VT 200°	55	100	21	2000	26,1	29,0
6212 BHTS 2RS C4 VT 200°	60	110	22	1800	32,4	36,0
6213 BHTS 2RS C4 VT 200°	65	120	23	1600	37,3	41,5
6214 BHTS 2RS C4 VT 200°	70	125	24	1400	39,6	44,0
6215 BHTS 2RS C4 VT 200°	75	130	25	1200	44,1	49,0
6216 BHTS 2RS C4 VT 200°	80	140	26	1000	49,5	55,0
6217 BHTS 2RS C4 VT 200°	85	150	28	900	57,6	64,0
6218 BHTS 2RS C4 VT 200°	90	160	30	800	66,1	73,5
6219 BHTS 2RS C4 VT 200°	95	170	32	700	73,3	81,5
6220 BHTS 2RS C4 VT 200°	100	180	34	600	83,7	93,0

6300 SERIE

Designation	Bore (B)	Diam (D)	Width (W)	Speed, RPM	Static Load, kN at 200°C	Static Load, kN at 20°C
6300 BHTS 2RS C4 VT 200°	10	35	11	5600	3,1	3,45
6301 BHTS 2RS C4 VT 200°	12	37	12	5400	3,7	4,15
6302 BHTS 2RS C4 VT 200°	15	42	13	5200	4,8	5,40
6303 BHTS 2RS C4 VT 200°	17	47	14	4800	5,8	6,55
6304 BHTS 2RS C4 VT 200°	20	52	15	4400	7,6	8,50
6305 BHTS 2RS C4 VT 200°	25	62	17	4000	10,2	11,4
6306 BHTS 2RS C4 VT 200°	30	72	19	3600	14,6	16,3
6307 BHTS 2RS C4 VT 200°	35	80	21	3200	17,1	19,0
6308 BHTS 2RS C4 VT 200°	40	90	23	2800	22,5	25,0
6309 BHTS 2RS C4 VT 200°	45	100	25	2400	28,8	32,0
6310 BHTS 2RS C4 VT 200°	50	110	27	2000	34,2	38,0
6311 BHTS 2RS C4 VT 200°	55	120	29	1800	42,7	47,5
6312 BHTS 2RS C4 VT 200°	60	130	31	1600	46,8	52,0
6313 BHTS 2RS C4 VT 200°	65	140	33	1400	54,0	60,0
6314 BHTS 2RS C4 VT 200°	70	150	35	1200	61,2	68,0
6315 BHTS 2RS C4 VT 200°	75	160	37	1000	68,8	76,5
6316 BHTS 2RS C4 VT 200°	80	170	39	900	77,8	86,5
6317 BHTS 2RS C4 VT 200°	85	180	41	800	86,8	96,5
6318 BHTS 2RS C4 VT 200°	90	190	43	700	97,2	108
6319 BHTS 2RS C4 VT 200°	95	200	45	600	106	118
6320 BHTS 2RS C4 VT 200°	100	215	47	500	126	140



Technical characteristics:

- Bearing material: steel AISI 52100 (Chrome) stabilized to the application
- Radial Clearance C4
- Seals 2RS in steel with vulcanized rubber for 200°C Viton
- Lubricated for life with grease for temperatures up to 200°C
- Do not need additional lubrication
- 61800 Serie bearings also available

Fields of application:

- Air conveyors
- Industrial Fans
- Packaging machinery
- Steel industry
- Ceramic Industry
- Papermaking industry



12100 Cuneo - Italy
 phone: 0039 0171 66883
 fax: 0039 0171 648913
www.becoitalia.biz

BHTS ZZ C4 200°

High Temperature Bearings



6000 SERIE

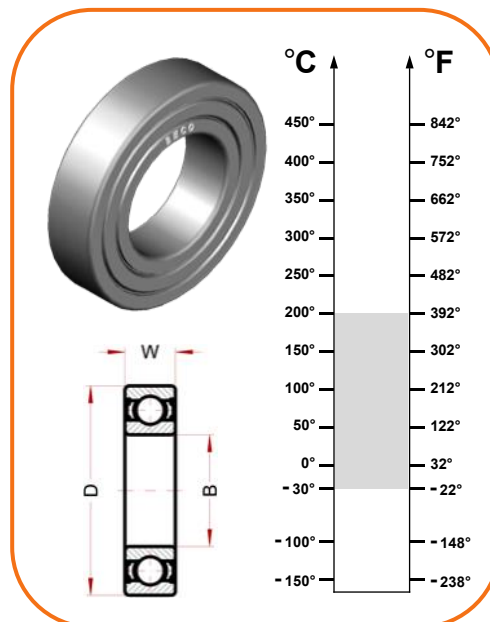
Designation	Bore (B)	Diam (D)	Width (W)	Speed, RPM	Static Load, kN at 200°C	Static Load, kN at 20°C
6000 BHTS ZZ C4 200°	10	26	8	6000	1,76	1,96
6001 BHTS ZZ C4 200°	12	28	8	5800	2,10	2,36
6002 BHTS ZZ C4 200°	15	32	9	5600	2,50	2,85
6003 BHTS ZZ C4 200°	17	35	10	5400	2,90	3,25
6004 BHTS ZZ C4 200°	20	42	12	5200	4,50	5,00
6005 BHTS ZZ C4 200°	25	47	12	4800	5,20	5,85
6006 BHTS ZZ C4 200°	30	55	13	4400	7,20	8,00
6007 BHTS ZZ C4 200°	35	62	14	4000	9,30	10,4
6008 BHTS ZZ C4 200°	40	68	15	3600	10,6	11,8
6009 BHTS ZZ C4 200°	45	75	16	3200	12,8	14,3
6010 BHTS ZZ C4 200°	50	80	16	2800	14,0	15,6
6011 BHTS ZZ C4 200°	55	90	18	2400	19,0	21,2
6012 BHTS ZZ C4 200°	60	95	18	2000	20,8	23,2
6013 BHTS ZZ C4 200°	65	100	18	1800	22,5	25,0
6014 BHTS ZZ C4 200°	70	110	20	1600	28,3	31,5
6015 BHTS ZZ C4 200°	75	115	20	1400	30,6	34,0
6016 BHTS ZZ C4 200°	80	125	22	1200	36,0	40,0
6017 BHTS ZZ C4 200°	85	130	22	1000	38,7	42,9
6018 BHTS ZZ C4 200°	90	140	24	900	45,0	49,9
6019 BHTS ZZ C4 200°	95	145	24	800	48,6	53,9
6020 BHTS ZZ C4 200°	100	150	24	700	48,6	53,9

6200 SERIE

Designation	Bore (B)	Diam (D)	Width (W)	Speed, RPM	Static Load, kN at 200°C	Static Load, kN at 20°C
6200 BHTS ZZ C4 200°	10	30	9	5800	2,30	2,60
6201 BHTS ZZ C4 200°	12	32	10	5600	2,80	3,10
6202 BHTS ZZ C4 200°	15	35	11	5400	3,30	3,75
6203 BHTS ZZ C4 200°	17	40	12	5200	4,20	4,75
6204 BHTS ZZ C4 200°	20	47	14	4800	5,90	6,55
6205 BHTS ZZ C4 200°	25	52	15	4400	7,20	8,00
6206 BHTS ZZ C4 200°	30	62	16	4000	10,0	11,2
6207 BHTS ZZ C4 200°	35	72	17	3600	13,7	15,3
6208 BHTS ZZ C4 200°	40	80	18	3200	16,2	18,0
6209 BHTS ZZ C4 200°	45	85	19	2800	18,3	20,4
6210 BHTS ZZ C4 200°	50	90	20	2400	21,6	24,0
6211 BHTS ZZ C4 200°	55	100	21	2000	26,1	29,0
6212 BHTS ZZ C4 200°	60	110	22	1800	32,4	36,0
6213 BHTS ZZ C4 200°	65	120	23	1600	37,3	41,5
6214 BHTS ZZ C4 200°	70	125	24	1400	39,6	44,0
6215 BHTS ZZ C4 200°	75	130	25	1200	44,1	49,0
6216 BHTS ZZ C4 200°	80	140	26	1000	49,5	55,0
6217 BHTS ZZ C4 200°	85	150	28	900	57,6	64,0
6218 BHTS ZZ C4 200°	90	160	30	800	66,1	73,5
6219 BHTS ZZ C4 200°	95	170	32	700	73,3	81,5
6220 BHTS ZZ C4 200°	100	180	34	600	83,7	93,0

6300 SERIE

Designation	Bore (B)	Diam (D)	Width (W)	Speed, RPM	Static Load, kN at 200°C	Static Load, kN at 20°C
6300 BHTS ZZ C4 200°	10	35	11	5600	3,1	3,45
6301 BHTS ZZ C4 200°	12	37	12	5400	3,7	4,15
6302 BHTS ZZ C4 200°	15	42	13	5200	4,8	5,40
6303 BHTS ZZ C4 200°	17	47	14	4800	5,8	6,55
6304 BHTS ZZ C4 200°	20	52	15	4400	7,6	8,50
6305 BHTS ZZ C4 200°	25	62	17	4000	10,2	11,4
6306 BHTS ZZ C4 200°	30	72	19	3600	14,6	16,3
6307 BHTS ZZ C4 200°	35	80	21	3200	17,1	19,0
6308 BHTS ZZ C4 200°	40	90	23	2800	22,5	25,0
6309 BHTS ZZ C4 200°	45	100	25	2400	28,8	32,0
6310 BHTS ZZ C4 200°	50	110	27	2000	34,2	38,0
6311 BHTS ZZ C4 200°	55	120	29	1800	42,7	47,5
6312 BHTS ZZ C4 200°	60	130	31	1600	46,8	52,0
6313 BHTS ZZ C4 200°	65	140	33	1400	54,0	60,0
6314 BHTS ZZ C4 200°	70	150	35	1200	61,2	68,0
6315 BHTS ZZ C4 200°	75	160	37	1000	68,8	76,5
6316 BHTS ZZ C4 200°	80	170	39	900	77,8	86,5
6317 BHTS ZZ C4 200°	85	180	41	800	86,8	96,5
6318 BHTS ZZ C4 200°	90	190	43	700	97,2	108
6319 BHTS ZZ C4 200°	95	200	45	600	106,2	118
6320 BHTS ZZ C4 200°	100	215	47	500	126,0	140



Technical characteristics:

- Bearing material: steel AISI 52100 (Chrome) stabilized to the application
- Radial Clearance C4
- Shields type ZZ
- Lubricated for life with grease for temperatures up to 200°C
- Do not need additional lubrication
- 61800 Serie bearings also available

Fields of application:

- Air conveyors
- Industrial Fans
- Packaging machinery
- Steel industry
- Ceramic Industry
- Papermaking industry



12100 Cuneo - Italy

phone: 0039 0171 66883

fax: 0039 0171 648913

www.becoitalia.biz

BHTS ZZ C4 200°

Insert Bearings for High Temperature Pillow Blocks for High Temperature

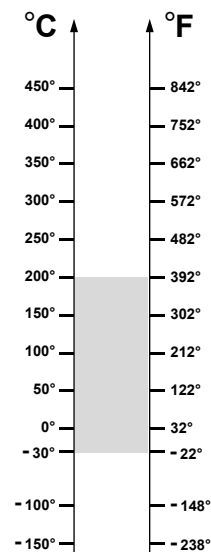
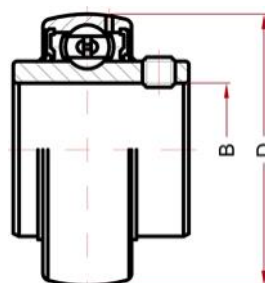


Technical characteristics:

- Bearing material: steel AISI 52100 (Chrome) stabilized to the application
- Radial Clearance C4
- Shields type ZZ
- Lubricated with grease for temperatures up to 200°C
- Housing in Stainless Steel
- Pillow Blocks UCPA and UCT Series also available

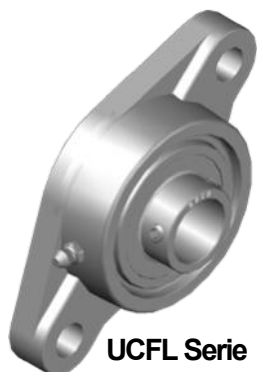
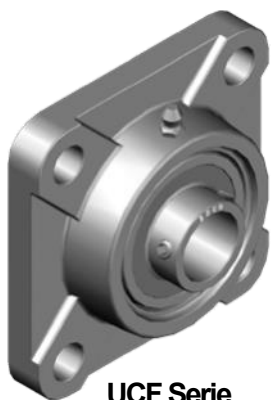
Fields of application:

- Air conveyors
- Industrial Fans
- Packaging machinery
- Steel industry
- Ceramic Industry
- Papermaking industry



UC SERIE

Designation	Bore (B)	Diam (D)	Speed, RPM	Static Load, kN at 200°C	Static Load, kN at 20°C	Pillow Blocks suitable Housing codes		
						F Serie	FL Serie	P Serie
UC 201 BHTS ZZ C4 200°	12	47	1440	6,00	6,60	F 204 SS	FL 204 SS	P 204 SS
UC 202 BHTS ZZ C4 200°	15	47	1440	6,00	6,60	F 204 SS	FL 204 SS	P 204 SS
UC 203 BHTS ZZ C4 200°	17	47	1440	6,00	6,60	F 204 SS	FL 204 SS	P 204 SS
UC 204 BHTS ZZ C4 200°	20	47	1200	6,00	6,60	F 204 SS	FL 204 SS	P 204 SS
UC 205 BHTS ZZ C4 200°	25	52	1120	7,09	7,80	F 205 SS	FL 205 SS	P 205 SS
UC 206 BHTS ZZ C4 200°	30	62	880	10,19	11,2	F 206 SS	FL 206 SS	P 206 SS
UC 207 BHTS ZZ C4 200°	35	72	760	13,73	15,1	F 207 SS	FL 207 SS	P 207 SS
UC 208 BHTS ZZ C4 200°	40	80	680	16,55	18,2	F 208 SS	FL 208 SS	P 208 SS
UC 209 BHTS ZZ C4 200°	45	85	640	18,73	20,6	F 209 SS	FL 209 SS	P 209 SS
UC 210 BHTS ZZ C4 200°	50	90	600	21,00	23,1	F 210 SS	FL 210 SS	P 210 SS
UC 211 BHTS ZZ C4 200°	55	100	536	26,37	29,0	F 211 SS	FL 211 SS	P 211 SS
UC 212 BHTS ZZ C4 200°	60	110	480	29,64	32,6	F 212 SS	FL 212 SS	P 212 SS
UC 213 BHTS ZZ C4 200°	65	120	424	36,19	39,8	F 213 SS	-	P 213 SS
UC 214 BHTS ZZ C4 200°	70	125	400	40,64	44,7	F 214 SS	-	P 214 SS
UC 215 BHTS ZZ C4 200°	75	130	384	44,73	49,2	F 215 SS	-	P 215 SS



BECCO

12100 Cuneo - Italy
 phone: 0039 0171 66883
 fax: 0039 0171 648913
www.becoitalia.biz

BHTS 2RS C4 VT 220°

High Temperature Bearings



6000 SERIE

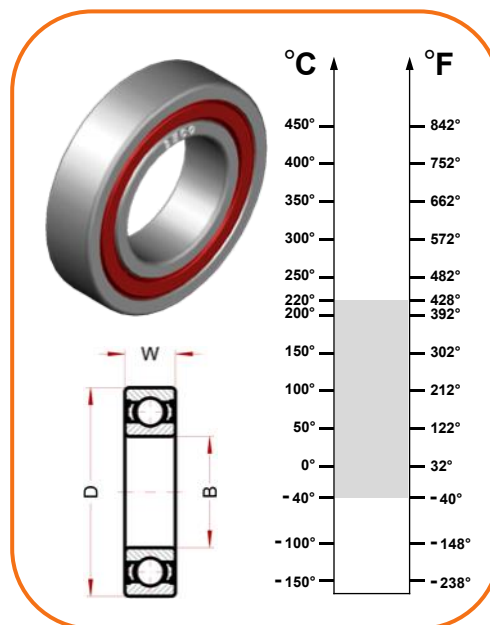
Designation	Bore (B)	Diam (D)	Width (W)	Speed, RPM	Static Load, kN at 220°C	Static Load, kN at 20°C
6000 BHTS 2RS C4 VT 220°	10	26	8	4200	1,50	1,96
6001 BHTS 2RS C4 VT 220°	12	28	8	4060	1,79	2,36
6002 BHTS 2RS C4 VT 220°	15	32	9	3920	2,13	2,85
6003 BHTS 2RS C4 VT 220°	17	35	10	3780	2,46	3,25
6004 BHTS 2RS C4 VT 220°	20	42	12	3640	3,83	5,00
6005 BHTS 2RS C4 VT 220°	25	47	12	3360	4,42	5,85
6006 BHTS 2RS C4 VT 220°	30	55	13	3080	6,11	8,00
6007 BHTS 2RS C4 VT 220°	35	62	14	2800	7,91	10,4
6008 BHTS 2RS C4 VT 220°	40	68	15	2520	9,01	11,8
6009 BHTS 2RS C4 VT 220°	45	75	16	2240	10,8	14,3
6010 BHTS 2RS C4 VT 220°	50	80	16	1960	11,9	15,6
6011 BHTS 2RS C4 VT 220°	55	90	18	1680	16,1	21,2
6012 BHTS 2RS C4 VT 220°	60	95	18	1400	17,1	23,2
6013 BHTS 2RS C4 VT 220°	65	100	18	1260	18,1	25,0
6014 BHTS 2RS C4 VT 220°	70	110	20	1120	22,8	31,5
6015 BHTS 2RS C4 VT 220°	75	115	20	980	24,0	34,0
6016 BHTS 2RS C4 VT 220°	80	125	22	840	28,8	40,0
6017 BHTS 2RS C4 VT 220°	85	130	22	700	30,9	42,9
6018 BHTS 2RS C4 VT 220°	90	140	24	630	36,0	49,9
6019 BHTS 2RS C4 VT 220°	95	145	24	560	38,8	53,9
6020 BHTS 2RS C4 VT 220°	100	160	24	490	38,8	53,9

6200 SERIE

Designation	Bore (B)	Diam (D)	Width (W)	Speed, RPM	Static Load, kN at 220°C	Static Load, kN at 20°C
6200 BHTS 2RS C4 VT 220°	10	30	9	4060	1,96	2,60
6201 BHTS 2RS C4 VT 220°	12	32	10	3920	2,38	3,10
6202 BHTS 2RS C4 VT 220°	15	35	11	3780	2,81	3,75
6203 BHTS 2RS C4 VT 220°	17	40	12	3640	3,57	4,75
6204 BHTS 2RS C4 VT 220°	20	47	14	3360	5,02	6,55
6205 BHTS 2RS C4 VT 220°	25	52	15	3080	6,12	8,00
6206 BHTS 2RS C4 VT 220°	30	62	16	2800	8,50	11,2
6207 BHTS 2RS C4 VT 220°	35	72	17	2520	11,6	15,3
6208 BHTS 2RS C4 VT 220°	40	80	18	2240	13,7	18,0
6209 BHTS 2RS C4 VT 220°	45	85	19	1960	15,5	20,4
6210 BHTS 2RS C4 VT 220°	50	90	20	1680	18,3	24,0
6211 BHTS 2RS C4 VT 220°	55	100	21	1400	22,1	29,0
6212 BHTS 2RS C4 VT 220°	60	110	22	1260	27,5	36,0
6213 BHTS 2RS C4 VT 220°	65	120	23	1120	31,7	41,5
6214 BHTS 2RS C4 VT 220°	70	125	24	980	33,6	44,0
6215 BHTS 2RS C4 VT 220°	75	130	25	840	37,4	49,0
6216 BHTS 2RS C4 VT 220°	80	140	26	700	42,3	55,0
6217 BHTS 2RS C4 VT 220°	85	150	28	630	49,2	64,0
6218 BHTS 2RS C4 VT 220°	90	160	30	560	56,5	73,5
6219 BHTS 2RS C4 VT 220°	95	170	32	490	62,7	81,5
6220 BHTS 2RS C4 VT 220°	100	180	34	420	71,5	93,0

6300 SERIE

Designation	Bore (B)	Diam (D)	Width (W)	Speed, RPM	Static Load, kN at 220°C	Static Load, kN at 20°C
6300 BHTS 2RS C4 VT 220°	10	35	11	3920	2,64	3,45
6301 BHTS 2RS C4 VT 220°	12	37	12	3780	3,15	4,15
6302 BHTS 2RS C4 VT 220°	15	42	13	3640	4,08	5,40
6303 BHTS 2RS C4 VT 220°	17	47	14	3360	4,93	6,55
6304 BHTS 2RS C4 VT 220°	20	52	15	3080	6,40	8,50
6305 BHTS 2RS C4 VT 220°	25	62	17	2800	8,67	11,4
6306 BHTS 2RS C4 VT 220°	30	72	19	2520	12,5	16,3
6307 BHTS 2RS C4 VT 220°	35	80	21	2240	14,5	19,0
6308 BHTS 2RS C4 VT 220°	40	90	23	1960	19,1	25,0
6309 BHTS 2RS C4 VT 220°	45	100	25	1680	24,5	32,0
6310 BHTS 2RS C4 VT 220°	50	110	27	1400	29,1	38,0
6311 BHTS 2RS C4 VT 220°	55	120	29	1260	36,3	47,5
6312 BHTS 2RS C4 VT 220°	60	130	31	1120	39,8	52,0
6313 BHTS 2RS C4 VT 220°	65	140	33	980	45,9	60,0
6314 BHTS 2RS C4 VT 220°	70	150	35	840	52,0	68,0
6315 BHTS 2RS C4 VT 220°	75	160	37	700	58,5	76,5
6316 BHTS 2RS C4 VT 220°	80	170	39	630	66,5	86,5
6317 BHTS 2RS C4 VT 220°	85	180	41	560	74,2	96,5
6318 BHTS 2RS C4 VT 220°	90	190	43	490	83,1	108
6319 BHTS 2RS C4 VT 220°	95	200	45	420	90,7	118
6320 BHTS 2RS C4 VT 220°	100	215	47	350	107,7	140



Technical characteristics:

- Bearing material: steel AISI 52100 (Chrome) stabilized to the application
- Radial Clearance C4
- Seals 2RS in steel with vulcanized rubber for 220°C Viton
- Lubricated for life with PTFE based on silicone free grease for temperatures up to 280°C (with a dropping point above 400°C)
- Do not need additional lubrication

Fields of application:

- Air conveyors
- Industrial Fans
- Packaging machinery
- Steel industry
- Ceramic Industry
- Papermaking industry



12100 Cuneo - Italy

phone: 0039 0171 66883

fax: 0039 0171 648913

www.becoitalia.biz

BHTS ZZ C4 220°-250°

High Temperature Bearings



6000 SERIE

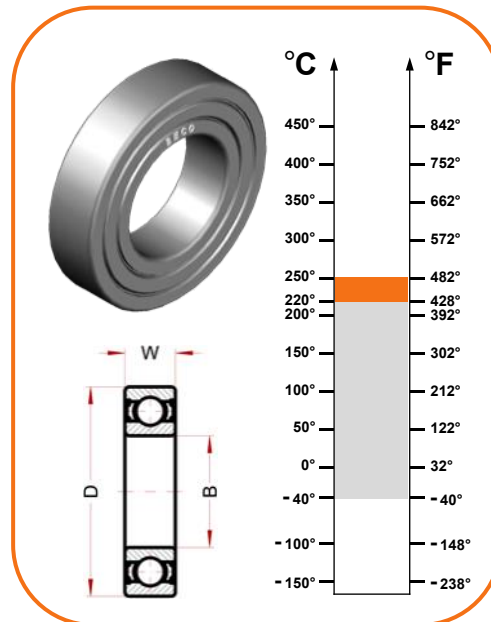
Designation	Bore (B)	Diam (D)	Width (W)	Speed, RPM	Static Load, kN at 250°C	Static Load, kN at 20°C
6000 BHTS ZZ C4 220°-250°	10	26	8	4200	1,50	1,96
6001 BHTS ZZ C4 220°-250°	12	28	8	4060	1,79	2,36
6002 BHTS ZZ C4 220°-250°	15	32	9	3920	2,13	2,85
6003 BHTS ZZ C4 220°-250°	17	35	10	3780	2,46	3,25
6004 BHTS ZZ C4 220°-250°	20	42	12	3640	3,83	5,00
6005 BHTS ZZ C4 220°-250°	25	47	12	3360	4,42	5,85
6006 BHTS ZZ C4 220°-250°	30	55	13	3080	6,12	8,00
6007 BHTS ZZ C4 220°-250°	35	62	14	2800	7,91	10,4
6008 BHTS ZZ C4 220°-250°	40	68	15	2520	9,01	11,8
6009 BHTS ZZ C4 220°-250°	45	75	16	2240	10,88	14,3
6010 BHTS ZZ C4 220°-250°	50	80	16	1960	11,90	15,6
6011 BHTS ZZ C4 220°-250°	55	90	18	1680	16,15	21,2
6012 BHTS ZZ C4 220°-250°	60	95	18	1400	17,10	23,2
6013 BHTS ZZ C4 220°-250°	65	100	18	1260	19,13	25,0
6014 BHTS ZZ C4 220°-250°	70	110	20	1120	22,84	31,5
6015 BHTS ZZ C4 220°-250°	75	115	20	980	24,05	34,0

6200 SERIE

Designation	Bore (B)	Diam (D)	Width (W)	Speed, RPM	Static Load, kN at 250°C	Static Load, kN at 20°C
6200 BHTS ZZ C4 220°-250°	10	30	9	4060	1,96	2,60
6201 BHTS ZZ C4 220°-250°	12	32	10	3920	2,38	3,10
6202 BHTS ZZ C4 220°-250°	15	35	11	3780	2,81	3,75
6203 BHTS ZZ C4 220°-250°	17	40	12	3640	3,57	4,75
6204 BHTS ZZ C4 220°-250°	20	47	14	3360	5,02	6,55
6205 BHTS ZZ C4 220°-250°	25	52	15	3080	6,12	8,00
6206 BHTS ZZ C4 220°-250°	30	62	16	2800	8,50	11,2
6207 BHTS ZZ C4 220°-250°	35	72	17	2520	11,65	15,3
6208 BHTS ZZ C4 220°-250°	40	80	18	2240	13,77	18,0
6209 BHTS ZZ C4 220°-250°	45	85	19	1960	15,56	20,4
6210 BHTS ZZ C4 220°-250°	50	90	20	1680	18,36	24,0
6211 BHTS ZZ C4 220°-250°	55	100	21	1400	22,19	29,0
6212 BHTS ZZ C4 220°-250°	60	110	22	1260	27,34	36,0
6213 BHTS ZZ C4 220°-250°	65	120	23	1120	31,71	41,5
6214 BHTS ZZ C4 220°-250°	70	125	24	980	33,66	44,0
6215 BHTS ZZ C4 220°-250°	75	130	25	840	37,49	49,0

6300 SERIE

Designation	Bore (B)	Diam (D)	Width (W)	Speed, RPM	Static Load, kN at 250°C	Static Load, kN at 20°C
6300 BHTS ZZ C4 220°-250°	10	35	11	3920	2,64	3,45
6301 BHTS ZZ C4 220°-250°	12	37	12	3780	3,15	4,15
6302 BHTS ZZ C4 220°-250°	15	42	13	3640	4,08	5,40
6303 BHTS ZZ C4 220°-250°	17	47	14	3360	4,93	6,55
6304 BHTS ZZ C4 220°-250°	20	52	15	3080	6,40	8,50
6305 BHTS ZZ C4 220°-250°	25	62	17	2800	8,67	11,4
6306 BHTS ZZ C4 220°-250°	30	72	19	2520	12,4	16,3
6307 BHTS ZZ C4 220°-250°	35	80	21	2240	14,5	19,0
6308 BHTS ZZ C4 220°-250°	40	90	23	1960	19,1	25,0
6309 BHTS ZZ C4 220°-250°	45	100	25	1680	24,3	32,0
6310 BHTS ZZ C4 220°-250°	50	110	27	1400	29,1	38,0
6311 BHTS ZZ C4 220°-250°	55	120	29	1260	36,3	47,5
6312 BHTS ZZ C4 220°-250°	60	130	31	1120	39,8	52,0
6313 BHTS ZZ C4 220°-250°	65	140	33	980	45,9	60,0
6314 BHTS ZZ C4 220°-250°	70	150	35	840	52,0	68,0
6315 BHTS ZZ C4 220°-250°	75	160	37	700	58,5	76,5



Technical characteristics:

- Bearing material: steel AISI 52100 (Chrome) stabilized to the application
- Radial Clearance C4
- Shields type ZZ
- Lubricated for life with PTFE based on silicone free grease for temperatures up to 280°C (with a dropping point above 400°C)
- Do not need additional lubrication

Fields of application:

- Air conveyors
- Industrial Fans
- Packaging machinery
- Steel industry
- Ceramic Industry
- Papermaking industry



12100 Cuneo - Italy

phone: 0039 0171 66883

fax: 0039 0171 648913

www.becoitalia.biz

BHTS ZZ C4 220°

Beco Plus



High Temperature Bearings

6000 SERIE

Designation	Bore (B)	Diam (D)	Width (W)	Speed, RPM	Static Load, kN at 250°C	Static Load, kN at 20°C
6000 BHTS ZZ C4 220° Beco Plus	10	26	8	4200	1,50	1,96
6001 BHTS ZZ C4 220° Beco Plus	12	28	8	4060	1,79	2,36
6002 BHTS ZZ C4 220° Beco Plus	15	32	9	3920	2,13	2,85
6003 BHTS ZZ C4 220° Beco Plus	17	35	10	3780	2,46	3,25
6004 BHTS ZZ C4 220° Beco Plus	20	42	12	3640	3,83	5,00
6005 BHTS ZZ C4 220° Beco Plus	25	47	12	3360	4,42	5,85
6006 BHTS ZZ C4 220° Beco Plus	30	55	13	3080	6,12	8,00
6007 BHTS ZZ C4 220° Beco Plus	35	62	14	2800	7,91	10,4
6008 BHTS ZZ C4 220° Beco Plus	40	68	15	2520	9,01	11,8
6009 BHTS ZZ C4 220° Beco Plus	45	75	16	2240	10,88	14,3
6010 BHTS ZZ C4 220° Beco Plus	50	80	16	1960	11,90	15,6
6011 BHTS ZZ C4 220° Beco Plus	55	90	18	1680	16,15	21,2
6012 BHTS ZZ C4 220° Beco Plus	60	95	18	1400	17,10	23,2
6013 BHTS ZZ C4 220° Beco Plus	65	100	18	1260	19,13	25,0
6014 BHTS ZZ C4 220° Beco Plus	70	110	20	1120	22,84	31,5
6015 BHTS ZZ C4 220° Beco Plus	75	115	20	980	24,05	34,0

6200 SERIE

Designation	Bore (B)	Diam (D)	Width (W)	Speed, RPM	Static Load, kN at 250°C	Static Load, kN at 20°C
6200 BHTS ZZ C4 220° Beco Plus	10	30	9	4060	1,96	2,60
6201 BHTS ZZ C4 220° Beco Plus	12	32	10	3920	2,38	3,10
6202 BHTS ZZ C4 220° Beco Plus	15	35	11	3780	2,81	3,75
6203 BHTS ZZ C4 220° Beco Plus	17	40	12	3640	3,57	4,75
6204 BHTS ZZ C4 220° Beco Plus	20	47	14	3360	5,02	6,55
6205 BHTS ZZ C4 220° Beco Plus	25	52	15	3080	6,12	8,00
6206 BHTS ZZ C4 220° Beco Plus	30	62	16	2800	8,50	11,2
6207 BHTS ZZ C4 220° Beco Plus	35	72	17	2520	11,65	15,3
6208 BHTS ZZ C4 220° Beco Plus	40	80	18	2240	13,77	18,0
6209 BHTS ZZ C4 220° Beco Plus	45	85	19	1960	15,56	20,4
6210 BHTS ZZ C4 220° Beco Plus	50	90	20	1680	18,36	24,0
6211 BHTS ZZ C4 220° Beco Plus	55	100	21	1400	22,19	29,0
6212 BHTS ZZ C4 220° Beco Plus	60	110	22	1260	27,34	36,0
6213 BHTS ZZ C4 220° Beco Plus	65	120	23	1120	31,71	41,5
6214 BHTS ZZ C4 220° Beco Plus	70	125	24	980	33,66	44,0
6215 BHTS ZZ C4 220° Beco Plus	75	130	25	840	37,49	49,0

6300 SERIE

Designation	Bore (B)	Diam (D)	Width (W)	Speed, RPM	Static Load, kN at 250°C	Static Load, kN at 20°C
6300 BHTS ZZ C4 220° Beco Plus	10	35	11	3920	2,64	3,45
6301 BHTS ZZ C4 220° Beco Plus	12	37	12	3780	3,15	4,15
6302 BHTS ZZ C4 220° Beco Plus	15	42	13	3640	4,08	5,40
6303 BHTS ZZ C4 220° Beco Plus	17	47	14	3360	4,93	6,55
6304 BHTS ZZ C4 220° Beco Plus	20	52	15	3080	6,40	8,50
6305 BHTS ZZ C4 220° Beco Plus	25	62	17	2800	8,67	11,4
6306 BHTS ZZ C4 220° Beco Plus	30	72	19	2520	12,4	16,3
6307 BHTS ZZ C4 220° Beco Plus	35	80	21	2240	14,5	19,0
6308 BHTS ZZ C4 220° Beco Plus	40	90	23	1960	19,1	25,0
6309 BHTS ZZ C4 220° Beco Plus	45	100	25	1680	24,3	32,0
6310 BHTS ZZ C4 220° Beco Plus	50	110	27	1400	29,1	38,0
6311 BHTS ZZ C4 220° Beco Plus	55	120	29	1260	36,3	47,5
6312 BHTS ZZ C4 220° Beco Plus	60	130	31	1120	39,8	52,0
6313 BHTS ZZ C4 220° Beco Plus	65	140	33	980	45,9	60,0
6314 BHTS ZZ C4 220° Beco Plus	70	150	35	840	52,0	68,0
6315 BHTS ZZ C4 220° Beco Plus	75	160	37	700	58,5	76,5



Technical characteristics:

- Bearing material: steel AISI 52100 (Chrome) stabilized to the application
- Radial Clearance C4
- Shields type ZZ
- The rings of the bearing (except the race of rotation) are manganese phosphatized
- Lubricated for life with PTFE based on silicone free grease for temperatures up to 260°C
- Do not need additional lubrication

Fields of application:

- Air conveyors
- Industrial Fans
- Packaging machinery
- Steel industry
- Ceramic Industry
- Papermaking industry

BECCO

12100 Cuneo - Italy

phone: 0039 0171 66883

fax: 0039 0171 648913

www.becoitalia.biz

BHTS 2RS VT 250°-280°

Extreme Temperature Bearings



6000 SERIE

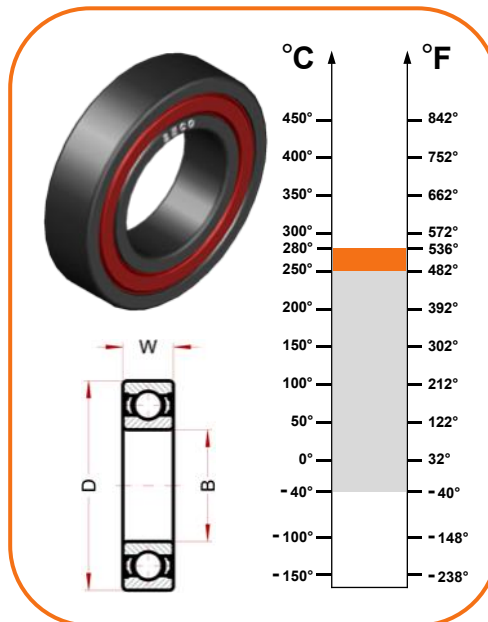
Designation	Bore (B)	Diam (D)	Width (W)	Speed, RPM	Static Load, kN at 280°C	Static Load, kN at 20°C
6000 BHTS 2RS VT 250°-280°	10	26	8	2240	1,40	1,96
6001 BHTS 2RS VT 250°-280°	12	28	8	2080	1,69	2,36
6002 BHTS 2RS VT 250°-280°	15	32	9	1920	2,04	2,85
6003 BHTS 2RS VT 250°-280°	17	35	10	1760	2,33	3,25
6004 BHTS 2RS VT 250°-280°	20	42	12	1600	3,58	5,00
6005 BHTS 2RS VT 250°-280°	25	47	12	1360	4,18	5,85
6006 BHTS 2RS VT 250°-280°	30	55	13	1040	5,72	8,00
6007 BHTS 2RS VT 250°-280°	35	62	14	880	7,43	10,4
6008 BHTS 2RS VT 250°-280°	40	68	15	800	8,43	11,8
6009 BHTS 2RS VT 250°-280°	45	75	16	720	10,22	14,3
6010 BHTS 2RS VT 250°-280°	50	80	16	680	11,14	15,6
6011 BHTS 2RS VT 250°-280°	55	90	18	600	15,14	21,2
6012 BHTS 2RS VT 250°-280°	60	95	18	560	16,57	23,2
6013 BHTS 2RS VT 250°-280°	65	100	18	504	17,86	25,0
6014 BHTS 2RS VT 250°-280°	70	110	20	480	22,50	31,5
6015 BHTS 2RS VT 250°-280°	75	115	20	448	24,29	34,0
6016 BHTS 2RS VT 250°-280°	80	125	22	400	28,57	40,0
6017 BHTS 2RS VT 250°-280°	85	130	22	380	30,64	42,9
6018 BHTS 2RS VT 250°-280°	90	140	24	360	35,64	49,9
6019 BHTS 2RS VT 250°-280°	95	145	24	340	38,53	53,9
6020 BHTS 2RS VT 250°-280°	100	150	24	300	38,53	53,9

6200 SERIE

Designation	Bore (B)	Diam (D)	Width (W)	Speed, RPM	Static Load, kN at 280°C	Static Load, kN at 20°C
6200 BHTS 2RS VT 250°-280°	10	30	9	2080	1,86	2,60
6201 BHTS 2RS VT 250°-280°	12	32	10	1920	2,22	3,10
6202 BHTS 2RS VT 250°-280°	15	35	11	1600	2,68	3,75
6203 BHTS 2RS VT 250°-280°	17	40	12	1440	3,39	4,75
6204 BHTS 2RS VT 250°-280°	20	47	14	1200	4,68	6,55
6205 BHTS 2RS VT 250°-280°	25	52	15	1120	5,71	8,00
6206 BHTS 2RS VT 250°-280°	30	62	16	880	8,00	11,2
6207 BHTS 2RS VT 250°-280°	35	72	17	760	10,93	15,3
6208 BHTS 2RS VT 250°-280°	40	80	18	680	12,86	18,0
6209 BHTS 2RS VT 250°-280°	45	85	19	640	14,57	20,4
6210 BHTS 2RS VT 250°-280°	50	90	20	600	17,14	24,0
6211 BHTS 2RS VT 250°-280°	55	100	21	536	20,71	29,0
6212 BHTS 2RS VT 250°-280°	60	110	22	480	25,71	36,0
6213 BHTS 2RS VT 250°-280°	65	120	23	424	29,64	41,5
6214 BHTS 2RS VT 250°-280°	70	125	24	400	31,43	44,0
6215 BHTS 2RS VT 250°-280°	75	130	25	384	35,00	49,0
6216 BHTS 2RS VT 250°-280°	80	140	26	350	39,29	55,0
6217 BHTS 2RS VT 250°-280°	85	150	28	330	45,72	64,0
6218 BHTS 2RS VT 250°-280°	90	160	30	310	52,5	73,5
6219 BHTS 2RS VT 250°-280°	95	170	32	300	58,21	81,5
6220 BHTS 2RS VT 250°-280°	100	180	34	290	66,43	93,0

6300 SERIE

Designation	Bore (B)	Diam (D)	Width (W)	Speed, RPM	Static Load, kN at 280°C	Static Load, kN at 20°C
6300 BHTS 2RS VT 250°-280°	10	35	11	1760	2,46	3,45
6301 BHTS 2RS VT 250°-280°	12	37	12	1600	2,96	4,15
6302 BHTS 2RS VT 250°-280°	15	42	13	1440	3,86	5,40
6303 BHTS 2RS VT 250°-280°	17	47	14	1280	4,68	6,55
6304 BHTS 2RS VT 250°-280°	20	52	15	1120	6,07	8,50
6305 BHTS 2RS VT 250°-280°	25	62	17	880	8,14	11,4
6306 BHTS 2RS VT 250°-280°	30	72	19	760	11,64	16,3
6307 BHTS 2RS VT 250°-280°	35	80	21	680	13,57	19,0
6308 BHTS 2RS VT 250°-280°	40	90	23	600	17,86	25,0
6309 BHTS 2RS VT 250°-280°	45	100	25	536	22,86	32,0
6310 BHTS 2RS VT 250°-280°	50	110	27	480	27,14	38,0
6311 BHTS 2RS VT 250°-280°	55	120	29	424	33,93	47,5
6312 BHTS 2RS VT 250°-280°	60	130	31	400	37,14	52,0
6313 BHTS 2RS VT 250°-280°	65	140	33	360	42,86	60,0
6314 BHTS 2RS VT 250°-280°	70	150	35	344	32,86	68,0
6315 BHTS 2RS VT 250°-280°	75	160	37	320	54,64	76,5
6316 BHTS 2RS VT 250°-280°	80	170	39	300	61,79	86,5
6317 BHTS 2RS VT 250°-280°	85	180	41	290	68,93	96,5
6318 BHTS 2RS VT 250°-280°	90	190	43	270	77,14	108
6319 BHTS 2RS VT 250°-280°	95	200	45	250	84,29	118
6320 BHTS 2RS VT 250°-280°	100	215	47	230	100	140



Technical characteristics:

- Bearing material: steel AISI 52100 (Chrome) stabilized to the application
- Treatment of manganese phosphate coating on all steel parts of the bearing
- Radial Clearance 4x C5
- Seals 2RS in steel with vulcanized rubber for 280°C Viton
- Lubricated for life with PTFE based on silicone free grease for temperatures up to 280°C (with a dropping point above 400°C)
- Do not need additional lubrication

Fields of application:

- Paint Ovens
- Steel industry
- Furnaces for Ceramic Industry
- Trolley Industry, Trolley for Brick Kilns Industry



12100 Cuneo - Italy

phone: 0039 0171 66883

fax: 0039 0171 648913

www.becoitalia.biz

BHTS 2RS VT 250°-280°



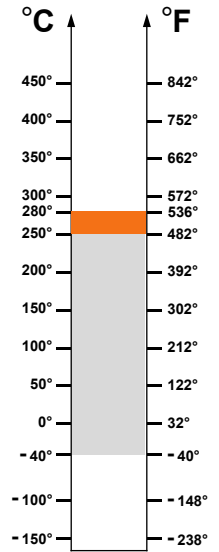
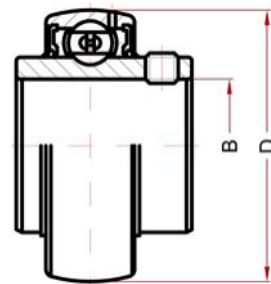
Insert Bearings for Extreme Temperature Pillow Blocks for Extreme Temperature

Technical characteristics:

- Bearing material: steel AISI 52100 (Chrome) stabilized to the application
- Treatment of manganese phosphate coating on all steel parts of the bearing
- Radial Clearance 4xC5
- Seals 2RS in steel with vulcanized rubber for 280°C Viton
- Lubricated with PTFE based on silicone free grease for temperatures up to 280°C (with a dropping point above 400°C)
- Housing in Stainless Steel
- Pillow Blocks UCFA and UCT Series also available

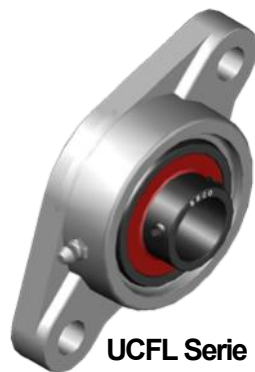
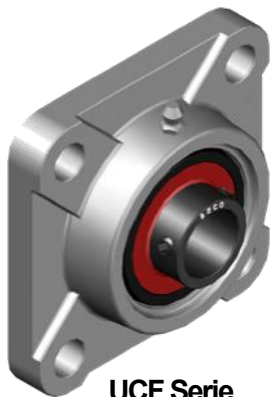
Fields of application:

- Paint Ovens
- Steel industry
- Furnaces for Ceramic Industry
- Trolley Industry, Trolley for Brick Kilns Industry



UC SERIE

Designation	Bore (B)	Diam (D)	Speed, RPM	Static Load, kN at 280°C	Static Load, kN at 20°C	Pillow Blocks suitable F Serie	Housing codes FL Serie	P Serie
UC 201 BHTS 2RS VT 250°-280°	12	47	1152	4,72	6,6	F 204 SS	FL 204 SS	P 204 SS
UC 202 BHTS 2RS VT 250°-280°	15	47	1152	4,72	6,6	F 204 SS	FL 204 SS	P 204 SS
UC 203 BHTS 2RS VT 250°-280°	17	47	1152	4,72	6,6	F 204 SS	FL 204 SS	P 204 SS
UC 204 BHTS 2RS VT 250°-280°	20	47	960	4,72	6,6	F 204 SS	FL 204 SS	P 204 SS
UC 205 BHTS 2RS VT 250°-280°	25	52	896	5,58	7,8	F 205 SS	FL 205 SS	P 205 SS
UC 206 BHTS 2RS VT 250°-280°	30	62	704	8,00	11,2	F 206 SS	FL 206 SS	P 206 SS
UC 207 BHTS 2RS VT 250°-280°	35	72	608	10,7	15,1	F 207 SS	FL 207 SS	P 207 SS
UC 208 BHTS 2RS VT 250°-280°	40	80	544	13,0	18,2	F 208 SS	FL 208 SS	P 208 SS
UC 209 BHTS 2RS VT 250°-280°	45	85	512	14,7	20,6	F 209 SS	FL 209 SS	P 209 SS
UC 210 BHTS 2RS VT 250°-280°	50	90	480	16,5	23,1	F 210 SS	FL 210 SS	P 210 SS
UC 211 BHTS 2RS VT 250°-280°	55	100	429	20,7	29,1	F 211 SS	FL 211 SS	P 211 SS
UC 212 BHTS 2RS VT 250°-280°	60	110	384	25,3	32,6	F 212 SS	FL 212 SS	P 212 SS
UC 213 BHTS 2RS VT 250°-280°	65	120	339	28,4	39,8	F 213 SS	-	P 213 SS
UC 214 BHTS 2RS VT 250°-280°	70	125	320	31,9	44,7	F 214 SS	-	P 214 SS
UC 215 BHTS 2RS VT 250°-280°	75	130	307	35,1	49,2	F 215 SS	-	P 215 SS



12100 Cuneo - Italy
 phone: 0039 0171 66883
 fax: 0039 0171 648913
www.becoitalia.biz

BHTS ZZ 280°

Extreme Temperature Bearings



MICRO SERIE

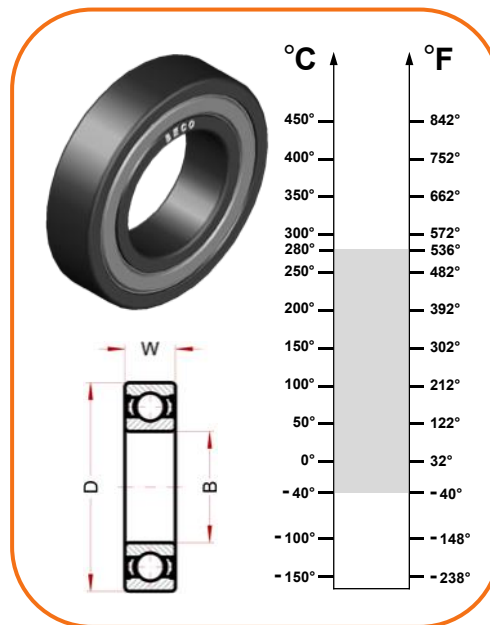
Designation	Bore (B)	Diam (D)	Width (W)	Speed, RPM	Static Load, kN at 280°C	Static Load, kN at 20°C
613/3 BHTS ZZ 280°	3	8	3	2300	0,11	0,16
623 BHTS ZZ 280°	3	10	4	2300	0,13	0,18
604 BHTS ZZ 280°	4	12	4	2300	0,24	0,34
624 BHTS ZZ 280°	4	13	5	2300	0,24	0,34
605 BHTS ZZ 280°	5	14	5	2300	0,30	0,42
625 BHTS ZZ 280°	5	16	5	2300	0,30	0,42
606 BHTS ZZ 280°	6	17	6	2300	0,60	0,85
626 BHTS ZZ 280°	6	19	6	2300	0,60	0,85
607 BHTS ZZ 280°	7	19	6	2300	0,60	0,85
627 BHTS ZZ 280°	7	22	7	2200	0,79	1,10
608 BHTS ZZ 280°	8	22	7	2100	0,79	1,10
628 BHTS ZZ 280°	8	24	8	2000	0,79	1,10
609 BHTS ZZ 280°	9	24	7	1900	0,93	1,30
629 BHTS ZZ 280°	9	26	8	1800	1,12	1,57

61800 SERIE

Designation	Bore (B)	Diam (D)	Width (W)	Speed, RPM	Static Load, kN at 280°C	Static Load, kN at 20°C
61800 BHTS ZZ 280°	10	19	5	2240	0,38	0,53
61801 BHTS ZZ 280°	12	21	5	2080	0,68	0,95
61802 BHTS ZZ 280°	15	24	5	1920	0,89	1,25
61803 BHTS ZZ 280°	17	26	5	1760	1,04	1,45
61804 BHTS ZZ 280°	20	32	7	1600	1,60	2,24
61805 BHTS ZZ 280°	25	37	7	1360	2,00	2,80
61806 BHTS ZZ 280°	30	42	7	1040	2,39	3,35
61807 BHTS ZZ 280°	35	47	7	880	2,57	3,60
61808 BHTS ZZ 280°	40	52	7	800	3,04	4,25
61809 BHTS ZZ 280°	45	58	7	720	4,00	5,60
61810 BHTS ZZ 280°	50	65	7	680	4,50	6,30
61811 BHTS ZZ 280°	55	72	9	600	6,07	8,50
61812 BHTS ZZ 280°	60	78	10	560	7,86	11,0
61813 BHTS ZZ 280°	65	85	10	504	8,57	12,0
61814 BHTS ZZ 280°	70	90	10	480	8,93	12,5
61815 BHTS ZZ 280°	75	95	10	448	9,57	13,4

61900 SERIE

Designation	Bore (B)	Diam (D)	Width (W)	Speed, RPM	Static Load, kN at 280°C	Static Load, kN at 20°C
61900 BHTS ZZ 280°	10	22	6	2240	0,54	0,75
61901 BHTS ZZ 280°	12	24	6	2080	0,69	0,97
61902 BHTS ZZ 280°	15	28	7	1920	1,45	2,03
61903 BHTS ZZ 280°	17	30	7	1760	1,64	2,30
61904 BHTS ZZ 280°	20	37	9	1600	2,57	3,60
61905 BHTS ZZ 280°	25	42	9	1360	2,86	4,00
61906 BHTS ZZ 280°	30	47	9	1040	3,23	4,52
61907 BHTS ZZ 280°	35	55	10	880	4,43	6,20
61908 BHTS ZZ 280°	40	62	12	800	6,64	9,30
61909 BHTS ZZ 280°	45	68	12	720	7,00	9,80
61910 BHTS ZZ 280°	50	72	12	680	7,43	10,4
61911 BHTS ZZ 280°	55	80	13	600	8,14	11,4
61912 BHTS ZZ 280°	60	85	13	560	8,57	12,0
61913 BHTS ZZ 280°	65	90	13	504	9,57	13,4
61914 BHTS ZZ 280°	70	100	16	480	13,0	18,3
61915 BHTS ZZ 280°	75	105	16	448	13,7	19,3



Technical characteristics:

- Bearing material: steel AISI 52100 (Chrome) stabilized to the application
- Treatment of manganese phosphate coating on all steel parts of the bearing
- Radial Clearance 4xCS
- Shields type ZZ
- Lubricated for life with PTFE based on silicone free grease for temperatures up to 280°C (with a dropping point above 400°C)
- Do not need additional lubrication

Fields of application:

- Paint Ovens
- Steel industry
- Furnaces for Ceramic Industry
- Trolley Industry, Trolley for Brick Kilns Industry



12100 Cuneo - Italy

phone: 0039 0171 66883

fax: 0039 0171 648913

www.becoitalia.biz

BHTS ZZ 280°

Extreme Temperature Bearings



6000 SERIE

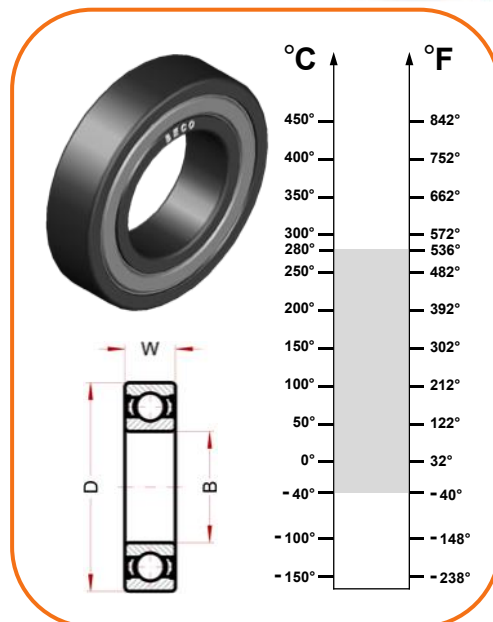
Designation	Bore (B)	Diam (D)	Width (W)	Speed, RPM	Static Load, kN at 280°C	Static Load, kN at 20°C
6000 BHTS ZZ 280°	10	26	8	2240	1,40	1,96
6001 BHTS ZZ 280°	12	28	8	2080	1,69	2,36
6002 BHTS ZZ 280°	15	32	9	1920	2,04	2,85
6003 BHTS ZZ 280°	17	35	10	1760	2,33	3,25
6004 BHTS ZZ 280°	20	42	12	1600	3,58	5,00
6005 BHTS ZZ 280°	25	47	12	1360	4,18	5,85
6006 BHTS ZZ 280°	30	55	13	1040	5,72	8,00
6007 BHTS ZZ 280°	35	62	14	880	7,43	10,4
6008 BHTS ZZ 280°	40	68	15	800	8,43	11,8
6009 BHTS ZZ 280°	45	75	16	720	10,22	14,3
6010 BHTS ZZ 280°	50	80	16	680	11,14	15,6
6011 BHTS ZZ 280°	55	90	18	600	15,14	21,2
6012 BHTS ZZ 280°	60	95	18	560	16,57	23,2
6013 BHTS ZZ 280°	65	100	18	504	17,86	25,0
6014 BHTS ZZ 280°	70	110	20	480	22,50	31,5
6015 BHTS ZZ 280°	75	115	20	448	24,29	34,0
6016 BHTS ZZ 280°	80	125	22	400	28,57	40,0
6017 BHTS ZZ 280°	85	130	22	380	30,64	42,9
6018 BHTS ZZ 280°	90	140	24	360	35,64	49,9
6019 BHTS ZZ 280°	95	145	24	340	38,53	53,9
6020 BHTS ZZ 280°	100	150	24	300	38,53	53,9

6200 SERIE

Designation	Bore (B)	Diam (D)	Width (W)	Speed, RPM	Static Load, kN at 280°C	Static Load, kN at 20°C
6200 BHTS ZZ 280°	10	30	9	2080	1,86	2,60
6201 BHTS ZZ 280°	12	32	10	1920	2,22	3,10
6202 BHTS ZZ 280°	15	35	11	1600	2,68	3,75
6203 BHTS ZZ 280°	17	40	12	1440	3,39	4,75
6204 BHTS ZZ 280°	20	47	14	1200	4,68	6,55
6205 BHTS ZZ 280°	25	52	15	1120	5,71	8,00
6206 BHTS ZZ 280°	30	62	16	880	8,00	11,2
6207 BHTS ZZ 280°	35	72	17	760	10,93	15,3
6208 BHTS ZZ 280°	40	80	18	680	12,86	18,0
6209 BHTS ZZ 280°	45	85	19	640	14,57	20,4
6210 BHTS ZZ 280°	50	90	20	600	17,14	24,0
6211 BHTS ZZ 280°	55	100	21	536	20,71	29,0
6212 BHTS ZZ 280°	60	110	22	480	25,71	36,0
6213 BHTS ZZ 280°	65	120	23	424	29,64	41,5
6214 BHTS ZZ 280°	70	125	24	400	31,43	44,0
6215 BHTS ZZ 280°	75	130	25	384	35,00	49,0
6216 BHTS ZZ 280°	80	140	26	350	39,29	55,0
6217 BHTS ZZ 280°	85	150	28	330	45,72	64,0
6218 BHTS ZZ 280°	90	160	30	310	52,50	73,5
6219 BHTS ZZ 280°	95	170	32	300	58,21	81,5
6220 BHTS ZZ 280°	100	180	34	290	66,43	93,0

6300 SERIE

Designation	Bore (B)	Diam (D)	Width (W)	Speed, RPM	Static Load, kN at 280°C	Static Load, kN at 20°C
6300 BHTS ZZ 280°	10	35	11	1760	2,46	3,45
6301 BHTS ZZ 280°	12	37	12	1600	2,96	4,15
6302 BHTS ZZ 280°	15	42	13	1440	3,86	5,40
6303 BHTS ZZ 280°	17	47	14	1280	4,68	6,55
6304 BHTS ZZ 280°	20	52	15	1120	6,07	8,50
6305 BHTS ZZ 280°	25	62	17	880	8,14	11,4
6306 BHTS ZZ 280°	30	72	19	760	11,64	16,3
6307 BHTS ZZ 280°	35	80	21	680	13,57	19,0
6308 BHTS ZZ 280°	40	90	23	600	17,86	25,0
6309 BHTS ZZ 280°	45	100	25	536	22,86	32,0
6310 BHTS ZZ 280°	50	110	27	480	27,14	38,0
6311 BHTS ZZ 280°	55	120	29	424	33,93	47,5
6312 BHTS ZZ 280°	60	130	31	400	37,14	52,0
6313 BHTS ZZ 280°	65	140	33	360	42,86	60,0
6314 BHTS ZZ 280°	70	150	35	344	32,86	68,0
6315 BHTS ZZ 280°	75	160	37	320	54,64	76,5
6316 BHTS ZZ 280°	80	170	39	300	61,79	86,5
6317 BHTS ZZ 280°	85	180	41	290	68,93	96,5
6318 BHTS ZZ 280°	90	190	43	270	77,14	108,0
6319 BHTS ZZ 280°	95	200	45	250	84,29	118,0
6320 BHTS ZZ 280°	100	215	47	230	100,0	140,0



Technical characteristics:

- Bearing material: steel AISI 52100 (Chrome) stabilized to the application
- Treatment of manganese phosphate coating on all steel parts of the bearing
- Radial Clearance 4xC5
- Shields type ZZ
- Lubricated for life with PTFE based on silicone free grease for temperatures up to 280°C (with a dropping point above 400°C)
- Do not need additional lubrication
- MICRO, 61800 & 61900 Series bearings also available

Fields of application:

- Paint Ovens
- Steel industry
- Furnaces for Ceramic Industry
- Trolley Industry, Trolley for Brick Kilns Industry



12100 Cuneo - Italy

phone: 0039 0171 66883

fax: 0039 0171 648913

www.becoitalia.biz

BHTS ZZ 280°



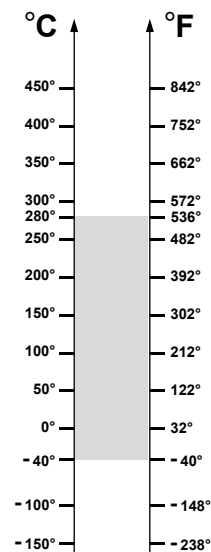
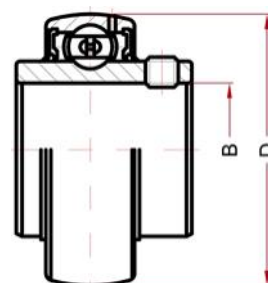
Insert Bearings for Extreme Temperature Pillow Blocks for Extreme Temperature

Technical characteristics:

- Bearing material: steel AISI 52100 (Chrome) stabilized to the application
- Treatment of manganese phosphate coating on all steel parts of the bearing
- Radial Clearance 4xC5
- Shields type ZZ
- Lubricated with PTFE based on silicone free grease for temperatures up to 280°C (with a dropping point above 400°C)
- Housing in Stainless Steel
- Pillow Blocks UCPA and UCT Series also available

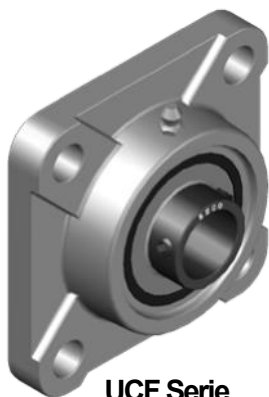
Fields of application:

- Paint Ovens
- Steel industry
- Furnaces for Ceramic Industry
- Trolley Industry, Trolley for Brick Kilns Industry

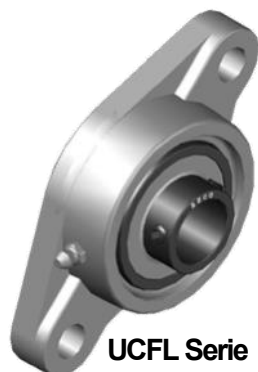


UC SERIE

Designation	Bore (B)	Diam (D)	Speed, RPM	Static Load, kN at 280°C	Static Load, kN at 20°C	Pillow Blocks suitable Housing codes		
						F Serie	FL Serie	P Serie
UC 201 BHTS ZZ 280°	12	47	1152	4,72	6,60	F 204 SS	FL 204 SS	P 204 SS
UC 202 BHTS ZZ 280°	15	47	1152	4,72	6,60	F 204 SS	FL 204 SS	P 204 SS
UC 203 BHTS ZZ 280°	17	47	1152	4,72	6,60	F 204 SS	FL 204 SS	P 204 SS
UC 204 BHTS ZZ 280°	20	47	960	4,72	6,60	F 204 SS	FL 204 SS	P 204 SS
UC 205 BHTS ZZ 280°	25	52	896	5,58	7,80	F 205 SS	FL 205 SS	P 205 SS
UC 206 BHTS ZZ 280°	30	62	704	8,00	11,2	F 206 SS	FL 206 SS	P 206 SS
UC 207 BHTS ZZ 280°	35	72	608	10,7	15,1	F 207 SS	FL 207 SS	P 207 SS
UC 208 BHTS ZZ 280°	40	80	544	13,0	18,2	F 208 SS	FL 208 SS	P 208 SS
UC 209 BHTS ZZ 280°	45	85	512	14,7	20,6	F 209 SS	FL 209 SS	P 209 SS
UC 210 BHTS ZZ 280°	50	90	480	16,5	23,1	F 210 SS	FL 210 SS	P 210 SS
UC 211 BHTS ZZ 280°	55	100	429	20,7	29,0	F 211 SS	FL 211 SS	P 211 SS
UC 212 BHTS ZZ 280°	60	110	384	25,3	32,6	F 212 SS	FL 212 SS	P 212 SS
UC 213 BHTS ZZ 280°	65	120	339	28,4	39,8	F 213 SS	-	P 213 SS
UC 214 BHTS ZZ 280°	70	125	320	31,9	44,7	F 214 SS	-	P 214 SS
UC 215 BHTS ZZ 280°	75	130	307	35,1	49,2	F 215 SS	-	P 215 SS



UCF Serie



UCFL Serie



UCP Serie



12100 Cuneo - Italy

phone: 0039 0171 66883

fax: 0039 0171 648913

www.becoitalia.biz

BHTS 330°

Extreme Temperature Bearings

ONLY FOR AUTOMATIC LUBRICATION



6000 SERIE

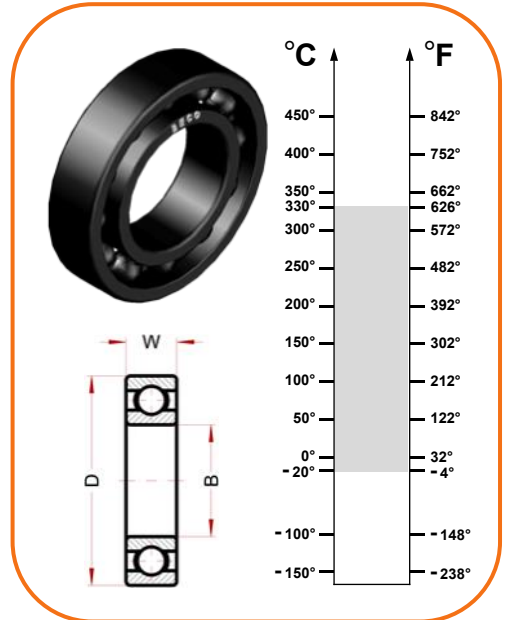
Designation	Bore (B)	Diam (D)	Width (W)	Speed, RPM	Static Load, kN at 330°C	Static Load, kN at 20°C
6000 BHTS 330°	10	26	8	282	1,35	1,96
6001 BHTS 330°	12	28	8	262	1,63	2,36
6002 BHTS 330°	15	32	9	242	1,97	2,85
6003 BHTS 330°	17	35	10	222	2,24	3,25
6004 BHTS 330°	20	42	12	200	3,45	5,00
6005 BHTS 330°	25	47	12	170	4,04	5,85
6006 BHTS 330°	30	55	13	130	5,52	8,00
6007 BHTS 330°	35	62	14	110	7,17	10,4
6008 BHTS 330°	40	68	15	100	8,14	11,8
6009 BHTS 330°	45	75	16	90	9,86	14,3
6010 BHTS 330°	50	80	16	85	10,76	15,6
6011 BHTS 330°	55	90	18	75	14,62	21,2
6012 BHTS 330°	60	95	18	70	16,00	23,2
6013 BHTS 330°	65	100	18	63	17,24	25,0
6014 BHTS 330°	70	110	20	60	21,72	31,5
6015 BHTS 330°	75	115	20	50	23,45	34,0
6016 BHTS 330°	80	125	22	50	27,58	40,0
6017 BHTS 330°	85	130	22	50	29,59	42,9
6018 BHTS 330°	90	140	24	50	34,41	49,9
6019 BHTS 330°	95	145	24	50	37,21	53,9
6020 BHTS 330°	100	150	24	50	37,21	53,9

6200 SERIE

Designation	Bore (B)	Diam (D)	Width (W)	Speed, RPM	Static Load, kN at 330°C	Static Load, kN at 20°C
6200 BHTS 330°	10	30	9	262	1,79	2,60
6201 BHTS 330°	12	32	10	242	2,14	3,10
6202 BHTS 330°	15	35	11	180	2,59	3,75
6203 BHTS 330°	17	40	12	175	3,28	4,75
6204 BHTS 330°	20	47	14	150	4,52	6,55
6205 BHTS 330°	25	52	15	140	5,52	8,00
6206 BHTS 330°	30	62	16	110	7,72	11,2
6207 BHTS 330°	35	72	17	100	10,55	15,3
6208 BHTS 330°	40	80	18	85	12,41	18,0
6209 BHTS 330°	45	85	19	80	14,06	20,4
6210 BHTS 330°	50	90	20	75	16,55	24,0
6211 BHTS 330°	55	100	21	67	20,00	29,0
6212 BHTS 330°	60	110	22	60	24,83	36,0
6213 BHTS 330°	65	120	23	53	28,62	41,5
6214 BHTS 330°	70	125	24	50	30,35	44,0
6215 BHTS 330°	75	130	25	50	33,79	49,0
6216 BHTS 330°	80	140	26	50	37,93	55,0
6217 BHTS 330°	85	150	28	50	44,14	64,0
6218 BHTS 330°	90	160	30	50	50,69	73,5
6219 BHTS 330°	95	170	32	50	56,21	81,5
6220 BHTS 330°	100	180	34	50	64,14	93,0

6300 SERIE

Designation	Bore (B)	Diam (D)	Width (W)	Speed, RPM	Static Load, kN at 330°C	Static Load, kN at 20°C
6300 BHTS 330°	10	35	11	220	2,38	3,45
6301 BHTS 330°	12	37	12	200	2,86	4,15
6302 BHTS 330°	15	42	13	180	3,72	5,40
6303 BHTS 330°	17	47	14	160	4,52	6,55
6304 BHTS 330°	20	52	15	140	5,86	8,50
6305 BHTS 330°	25	62	17	110	7,86	11,4
6306 BHTS 330°	30	72	19	95	11,24	16,3
6307 BHTS 330°	35	80	21	85	13,10	19,0
6308 BHTS 330°	40	90	23	75	17,24	25,0
6309 BHTS 330°	45	100	25	67	22,06	32,0
6310 BHTS 330°	50	110	27	60	26,21	38,0
6311 BHTS 330°	55	120	29	53	32,76	47,5
6312 BHTS 330°	60	130	31	50	35,86	52,0
6313 BHTS 330°	65	140	33	50	41,38	60,0
6314 BHTS 330°	70	150	35	50	46,90	68,0
6315 BHTS 330°	75	160	37	50	52,76	76,5
6316 BHTS 330°	80	170	39	50	59,66	86,5
6317 BHTS 330°	85	180	41	50	66,55	96,5
6318 BHTS 330°	90	190	43	50	74,48	108
6319 BHTS 330°	95	200	45	50	81,38	118
6320 BHTS 330°	100	215	47	50	96,55	140



Technical characteristics:

- Bearing material: steel AISI 52100 (Chrome) stabilized to the application
- Treatment of manganese phosphate coating on all steel parts of the bearing
- Radial Clearance 4xC5
- Bearing running open
- Lubricated with molybdenum disulphide grease*
- Need additional lubrication with oil for High Temperature

Note:

*Bearing, lubricated with molybdenum grease, requires additional dropping of oil for high temperature. Absence of additional periodical lubrication causes fast oxidation, locking of the bearing and strong reduction of lifetime. Its use is suggested only in existing applications with automatic oil dropping system.



12100 Cuneo - Italy

phone: 0039 0171 66883

fax: 0039 0171 648913

www.becoitalia.biz

BHTS ZZ 350°

Beco Plus



Extreme Temperature Maintenance Free + High Speed Bearings

6000 SERIE

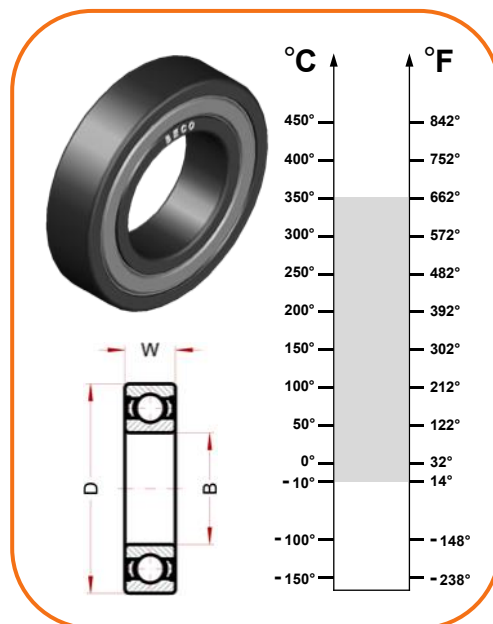
Designation	Bore (B)	Diam (D)	Width (W)	Speed, RPM	Static Load, kN at 350°C	Static Load, kN at 20°C
6000 BHTS ZZ 350° Beco Plus	10	26	8	564	1,35	1,96
6001 BHTS ZZ 350° Beco Plus	12	28	8	524	1,63	2,36
6002 BHTS ZZ 350° Beco Plus	15	32	9	484	1,97	2,85
6003 BHTS ZZ 350° Beco Plus	17	35	10	444	2,24	3,25
6004 BHTS ZZ 350° Beco Plus	20	42	12	400	3,45	5,00
6005 BHTS ZZ 350° Beco Plus	25	47	12	340	4,04	5,85
6006 BHTS ZZ 350° Beco Plus	30	55	13	260	5,52	8,00
6007 BHTS ZZ 350° Beco Plus	35	62	14	220	7,17	10,4
6008 BHTS ZZ 350° Beco Plus	40	68	15	200	8,14	11,8
6009 BHTS ZZ 350° Beco Plus	45	75	16	180	9,86	14,3
6010 BHTS ZZ 350° Beco Plus	50	80	16	170	10,76	15,6
6011 BHTS ZZ 350° Beco Plus	55	90	18	150	14,62	21,2
6012 BHTS ZZ 350° Beco Plus	60	95	18	140	16,00	23,2
6013 BHTS ZZ 350° Beco Plus	65	100	18	126	17,24	25,0
6014 BHTS ZZ 350° Beco Plus	70	110	20	120	21,72	31,5
6015 BHTS ZZ 350° Beco Plus	75	115	20	100	23,45	34,0

6200 SERIE

Designation	Bore (B)	Diam (D)	Width (W)	Speed, RPM	Static Load, kN at 350°C	Static Load, kN at 20°C
6200 BHTS ZZ 350° Beco Plus	10	30	9	524	1,79	2,60
6201 BHTS ZZ 350° Beco Plus	12	32	10	484	2,14	3,10
6202 BHTS ZZ 350° Beco Plus	15	35	11	360	2,59	3,75
6203 BHTS ZZ 350° Beco Plus	17	40	12	350	3,28	4,75
6204 BHTS ZZ 350° Beco Plus	20	47	14	300	4,52	6,55
6205 BHTS ZZ 350° Beco Plus	25	52	15	280	5,52	8,00
6206 BHTS ZZ 350° Beco Plus	30	62	16	220	7,72	11,2
6207 BHTS ZZ 350° Beco Plus	35	72	17	200	10,55	15,3
6208 BHTS ZZ 350° Beco Plus	40	80	18	170	12,41	18,0
6209 BHTS ZZ 350° Beco Plus	45	85	19	160	14,06	20,4
6210 BHTS ZZ 350° Beco Plus	50	90	20	150	16,55	24,0
6211 BHTS ZZ 350° Beco Plus	55	100	21	134	20,00	29,0
6212 BHTS ZZ 350° Beco Plus	60	110	22	120	24,83	36,0
6213 BHTS ZZ 350° Beco Plus	65	120	23	106	28,62	41,5
6214 BHTS ZZ 350° Beco Plus	70	125	24	100	30,35	44,0
6215 BHTS ZZ 350° Beco Plus	75	130	25	100	33,79	49,0

6300 SERIE

Designation	Bore (B)	Diam (D)	Width (W)	Speed, RPM	Static Load, kN at 350°C	Static Load, kN at 20°C
6300 BHTS ZZ 350° Beco Plus	10	35	11	440	2,38	3,45
6301 BHTS ZZ 350° Beco Plus	12	37	12	400	2,86	4,15
6302 BHTS ZZ 350° Beco Plus	15	42	13	360	3,72	5,40
6303 BHTS ZZ 350° Beco Plus	17	47	14	320	4,52	6,55
6304 BHTS ZZ 350° Beco Plus	20	52	15	280	5,86	8,50
6305 BHTS ZZ 350° Beco Plus	25	62	17	220	7,86	11,4
6306 BHTS ZZ 350° Beco Plus	30	72	19	190	11,24	16,3
6307 BHTS ZZ 350° Beco Plus	35	80	21	170	13,10	19,0
6308 BHTS ZZ 350° Beco Plus	40	90	23	150	17,24	25,0
6309 BHTS ZZ 350° Beco Plus	45	100	25	134	22,06	32,0
6310 BHTS ZZ 350° Beco Plus	50	110	27	120	26,21	38,0
6311 BHTS ZZ 350° Beco Plus	55	120	29	106	32,76	47,5
6312 BHTS ZZ 350° Beco Plus	60	130	31	100	35,86	52,0
6313 BHTS ZZ 350° Beco Plus	65	140	33	100	41,38	60,0
6314 BHTS ZZ 350° Beco Plus	70	150	35	100	46,90	68,0
6315 BHTS ZZ 350° Beco Plus	75	160	37	100	52,76	76,5



Technical characteristics:

- Bearing material: steel AISI 52100 (Chrome) stabilized to the application
- Treatment of manganese phosphate coating on all steel parts of the bearing
- Radial Clearance 4x C5
- Shields type ZZ
- Lubricated for life with BECO grease-compound for temperatures up to 375°C
- Do not need additional lubrication

Fields of application:

- Paint Ovens
- Steel industry
- Furnaces for Ceramic Industry
- Trolley Industry, Trolley for Brick Kilns Industry

Advantages:

- The Most Performant Bearing on the market
- Up to 3 times more speed than any other competitors at the max. temperature

BECCO

12100 Cuneo - Italy

phone: 0039 0171 66883

fax: 0039 0171 648913

www.becoitalia.biz

BHTS ZZ 350° Beco Plus



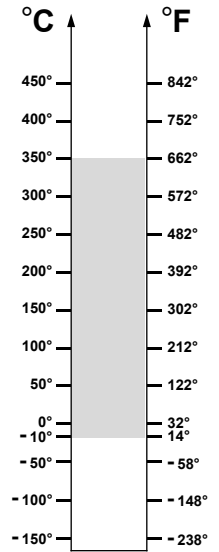
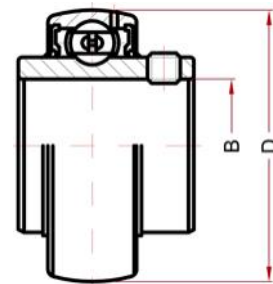
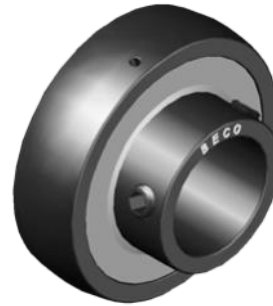
Insert Bearings for Extreme Temperature Pillow Blocks for Extreme Temperature

Technical characteristics:

- Bearing material: steel AISI 52100 (Chrome) stabilized to the application
- Treatment of manganese phosphate coating on all steel parts of the bearing
- Radial Clearance 4xC5
- Shields type ZZ
- Lubricated for life with BECO grease-compound for temperatures up to 375°C
- Do not need additional lubrication
- Housing in Stainless Steel
- Pillow Blocks UCPA and UCT Series also available

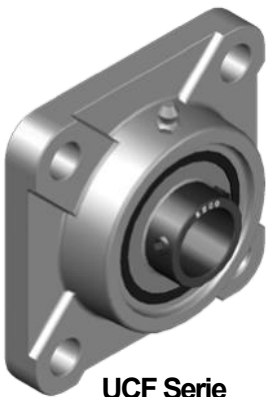
Fields of application:

- Paint Ovens
- Steel industry
- Furnaces for Ceramic Industry
- Trolley Industry, Trolley for Brick Kilns Industry



UC SERIE

Designation	Bore (B)	Diam (D)	Speed, RPM	Static Load, kN at 350°C	Static Load, kN at 20°C	Pillow Blocks suitable Housing codes		
						F Serie	FL Serie	P Serie
UC 201 BHTS ZZ 350° Beco Plus	12	47	300	4,55	6,60	F 204 SS	FL 204 SS	P 204 SS
UC 202 BHTS ZZ 350° Beco Plus	15	47	300	4,55	6,60	F 204 SS	FL 204 SS	P 204 SS
UC 203 BHTS ZZ 350° Beco Plus	17	47	300	4,55	6,60	F 204 SS	FL 204 SS	P 204 SS
UC 204 BHTS ZZ 350° Beco Plus	20	47	300	4,55	6,60	F 204 SS	FL 204 SS	P 204 SS
UC 205 BHTS ZZ 350° Beco Plus	25	52	280	5,39	7,80	F 205 SS	FL 205 SS	P 205 SS
UC 206 BHTS ZZ 350° Beco Plus	30	62	220	7,72	11,2	F 206 SS	FL 206 SS	P 206 SS
UC 207 BHTS ZZ 350° Beco Plus	35	72	200	10,4	15,1	F 207 SS	FL 207 SS	P 207 SS
UC 208 BHTS ZZ 350° Beco Plus	40	80	170	12,6	18,2	F 208 SS	FL 208 SS	P 208 SS
UC 209 BHTS ZZ 350° Beco Plus	45	85	160	14,2	20,6	F 209 SS	FL 209 SS	P 209 SS
UC 210 BHTS ZZ 350° Beco Plus	50	90	150	15,9	23,1	F 210 SS	FL 210 SS	P 210 SS
UC 211 BHTS ZZ 350° Beco Plus	55	100	134	20,0	29,0	F 211 SS	FL 211 SS	P 211 SS
UC 212 BHTS ZZ 350° Beco Plus	60	110	120	22,5	32,6	F 212 SS	FL 212 SS	P 212 SS
UC 213 BHTS ZZ 350° Beco Plus	65	120	106	27,4	39,8	F 213 SS	-	P 213 SS
UC 214 BHTS ZZ 350° Beco Plus	70	125	100	30,8	44,7	F 214 SS	-	P 214 SS
UC 215 BHTS ZZ 350° Beco Plus	75	130	100	33,9	49,2	F 215 SS	-	P 215 SS



12100 Cuneo - Italy
 phone: 0039 0171 66883
 fax: 0039 0171 648913
www.becoitalia.biz

BHTS ZZ GR CG 350°

Extreme Temperature Bearings



6000 SERIE

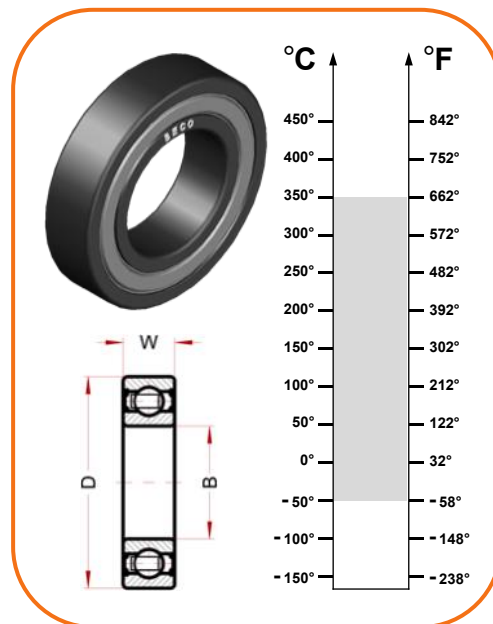
Designation	Bore (B)	Diam (D)	Width (W)	Speed, RPM	Static Load, kN at 350°C	Static Load, kN at 20°C
6000 BHTS ZZ GR CG 350°	10	26	8	90	1,35	1,96
6001 BHTS ZZ GR CG 350°	12	28	8	85	1,63	2,36
6002 BHTS ZZ GR CG 350°	15	32	9	80	1,97	2,85
6003 BHTS ZZ GR CG 350°	17	35	10	75	2,24	3,25
6004 BHTS ZZ GR CG 350°	20	42	12	70	3,45	5,00
6005 BHTS ZZ GR CG 350°	25	47	12	65	4,03	5,85
6006 BHTS ZZ GR CG 350°	30	55	13	60	5,52	8,00
6007 BHTS ZZ GR CG 350°	35	62	14	55	7,17	10,4
6008 BHTS ZZ GR CG 350°	40	68	15	50	8,14	11,8
6009 BHTS ZZ GR CG 350°	45	75	16	45	9,86	14,3
6010 BHTS ZZ GR CG 350°	50	80	16	40	10,76	15,6
6011 BHTS ZZ GR CG 350°	55	90	18	40	14,62	21,2
6012 BHTS ZZ GR CG 350°	60	95	18	40	16,00	23,2
6013 BHTS ZZ GR CG 350°	65	100	18	40	17,24	25,0
6014 BHTS ZZ GR CG 350°	70	110	20	40	21,72	31,5
6015 BHTS ZZ GR CG 350°	75	115	20	40	23,45	34,0

6200 SERIE

Designation	Bore (B)	Diam (D)	Width (W)	Speed, RPM	Static Load, kN at 350°C	Static Load, kN at 20°C
6200 BHTS ZZ GR CG 350°	10	30	9	90	1,79	2,60
6201 BHTS ZZ GR CG 350°	12	32	10	85	2,14	3,10
6202 BHTS ZZ GR CG 350°	15	35	11	80	2,59	3,75
6203 BHTS ZZ GR CG 350°	17	40	12	75	3,27	4,75
6204 BHTS ZZ GR CG 350°	20	47	14	70	4,52	6,55
6205 BHTS ZZ GR CG 350°	25	52	15	65	5,52	8,00
6206 BHTS ZZ GR CG 350°	30	62	16	60	7,72	11,2
6207 BHTS ZZ GR CG 350°	35	72	17	55	10,55	15,3
6208 BHTS ZZ GR CG 350°	40	80	18	50	12,41	18,0
6209 BHTS ZZ GR CG 350°	45	85	19	45	14,06	20,4
6210 BHTS ZZ GR CG 350°	50	90	20	40	16,55	24,0
6211 BHTS ZZ GR CG 350°	55	100	21	40	20,00	29,0
6212 BHTS ZZ GR CG 350°	60	110	22	40	24,83	36,0
6213 BHTS ZZ GR CG 350°	65	120	23	40	28,62	41,5
6214 BHTS ZZ GR CG 350°	70	125	24	40	30,34	44,0
6215 BHTS ZZ GR CG 350°	75	130	25	40	33,79	49,0

6300 SERIE

Designation	Bore (B)	Diam (D)	Width (W)	Speed, RPM	Static Load, kN at 350°C	Static Load, kN at 20°C
6300 BHTS ZZ GR CG 350°	10	35	11	90	2,38	3,45
6301 BHTS ZZ GR CG 350°	12	37	12	85	2,86	4,15
6302 BHTS ZZ GR CG 350°	15	42	13	80	3,72	5,40
6303 BHTS ZZ GR CG 350°	17	47	14	75	4,52	6,55
6304 BHTS ZZ GR CG 350°	20	52	15	70	5,86	8,50
6305 BHTS ZZ GR CG 350°	25	62	17	65	7,86	11,4
6306 BHTS ZZ GR CG 350°	30	72	19	60	11,24	16,3
6307 BHTS ZZ GR CG 350°	35	80	21	55	13,10	19,0
6308 BHTS ZZ GR CG 350°	40	90	23	50	17,24	25,0
6309 BHTS ZZ GR CG 350°	45	100	25	45	22,06	32,0
6310 BHTS ZZ GR CG 350°	50	110	27	40	26,20	38,0
6311 BHTS ZZ GR CG 350°	55	120	29	40	32,76	47,5
6312 BHTS ZZ GR CG 350°	60	130	31	40	35,86	52,0
6313 BHTS ZZ GR CG 350°	65	140	33	40	41,38	60,0
6314 BHTS ZZ GR CG 350°	70	150	35	40	46,90	68,0
6315 BHTS ZZ GR CG 350°	75	160	37	40	52,76	76,5



Technical characteristics:

- Bearing material: steel AISI 52100 (Chrome) stabilized to the application
- Treatment of manganese phosphate coating on all steel parts of the bearing
- Radial Clearance 4xC5
- Shields type ZZ
- In one piece graphite cage (coronet cage)
- Lubrication for life from the graphite cage

Fields of application:

- Paint Ovens
- Steel industry
- Furnaces for Ceramic Industry
- Trolley Industry, Trolley for Brick Kilns Industry



12100 Cuneo - Italy

phone: 0039 0171 66883

fax: 0039 0171 648913

www.becoitalia.biz

BHTS ZZ GR CG 350°



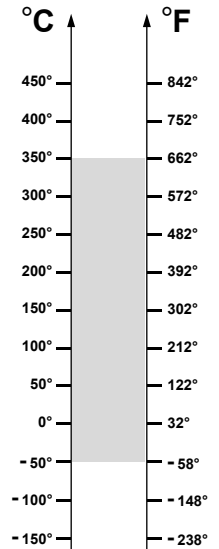
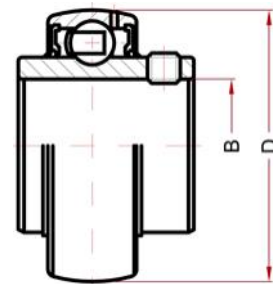
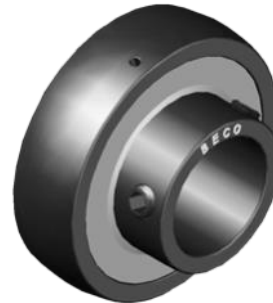
Insert Bearings for Extreme Temperature Pillow Blocks for Extreme Temperature

Technical characteristics:

- Bearing material: steel AISI 52100 (Chrome) stabilized to the application
- Treatment of manganese phosphate coating on all steel parts of the bearing
- Radial Clearance 4xC5
- Shields type ZZ
- In one piece graphite cage (coronet cage)
- Lubrication for life from the graphite cage
- Housing in Stainless Steel
- Pillow Blocks UCPA Series also available

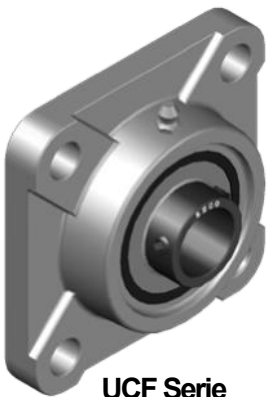
Fields of application:

- Paint Ovens
- Steel industry
- Furnaces for Ceramic Industry
- Trolley Industry, Trolley for Brick Kilns Industry

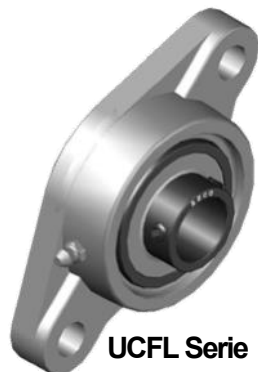


UC SERIE

Designation	Bore (B)	Diam (D)	Speed, RPM	Static Load, kN at 350°C	Static Load, kN at 20°C	Pillow Blocks suitable F Serie	FL Serie	Housing codes P Serie
UC 201 BHTS ZZ GR CG 350°	12	47	85	4,55	6,6	F 204 SS	FL 204 SS	P 204 SS
UC 202 BHTS ZZ GR CG 350°	15	47	80	4,55	6,6	F 204 SS	FL 204 SS	P 204 SS
UC 203 BHTS ZZ GR CG 350°	17	47	75	4,55	6,6	F 204 SS	FL 204 SS	P 204 SS
UC 204 BHTS ZZ GR CG 350°	20	47	70	4,55	6,6	F 204 SS	FL 204 SS	P 204 SS
UC 205 BHTS ZZ GR CG 350°	25	52	65	5,39	7,8	F 205 SS	FL 205 SS	P 205 SS
UC 206 BHTS ZZ GR CG 350°	30	62	60	7,72	11,2	F 206 SS	FL 206 SS	P 206 SS
UC 207 BHTS ZZ GR CG 350°	35	72	55	10,4	15,1	F 207 SS	FL 207 SS	P 207 SS
UC 208 BHTS ZZ GR CG 350°	40	80	50	12,6	18,2	F 208 SS	FL 208 SS	P 208 SS
UC 209 BHTS ZZ GR CG 350°	45	85	45	14,2	20,6	F 209 SS	FL 209 SS	P 209 SS
UC 210 BHTS ZZ GR CG 350°	50	90	40	15,9	23,1	F 210 SS	FL 210 SS	P 210 SS
UC 211 BHTS ZZ GR CG 350°	55	100	40	20,0	29,0	F 211 SS	FL 211 SS	P 211 SS
UC 212 BHTS ZZ GR CG 350°	60	110	40	22,5	32,6	F 212 SS	FL 212 SS	P 212 SS
UC 213 BHTS ZZ GR CG 350°	65	120	40	27,4	39,8	F 213 SS	-	P 213 SS
UC 214 BHTS ZZ GR CG 350°	70	125	40	30,8	44,7	F 214 SS	-	P 214 SS
UC 215 BHTS ZZ GR CG 350°	75	130	40	33,9	49,2	F 215 SS	-	P 215 SS



UCF Serie



UCFL Serie



UCP Serie



12100 Cuneo - Italy

phone: 0039 0171 66883

fax: 0039 0171 648913

www.becoitalia.biz

BHTS ZZ FB 375°

Beco Plus



Extreme Temperature Bearings

6200 SERIE

Designation	Bore (B)	Diam (D)	Width (W)	Speed, RPM	Static Load, kN at 375°C	Static Load, kN at 20°C
6200 BHTS ZZ FB 375° Beco Plus	10	30	9	90	1,79	2,60
6201 BHTS ZZ FB 375° Beco Plus	12	32	10	85	2,14	3,10
6202 BHTS ZZ FB 375° Beco Plus	15	35	11	80	2,59	3,75
6203 BHTS ZZ FB 375° Beco Plus	17	40	12	75	3,28	4,75
6204 BHTS ZZ FB 375° Beco Plus	20	47	14	70	4,52	6,55
6205 BHTS ZZ FB 375° Beco Plus	25	52	15	65	5,52	8,00
6206 BHTS ZZ FB 375° Beco Plus	30	62	16	60	7,72	11,2
6207 BHTS ZZ FB 375° Beco Plus	35	72	17	55	10,55	15,3
6208 BHTS ZZ FB 375° Beco Plus	40	80	18	50	12,41	18,0

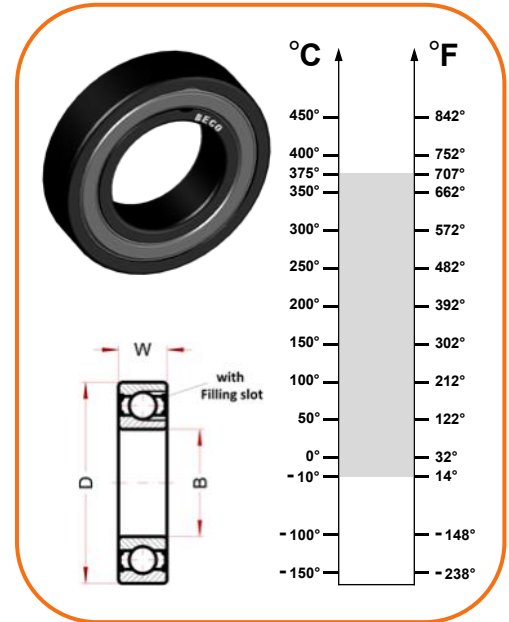
6300 SERIE

Designation	Bore (B)	Diam (D)	Width (W)	Speed, RPM	Static Load, kN at 375°C	Static Load, kN at 20°C
6300 BHTS ZZ FB 375° Beco Plus	10	35	11	90	2,38	3,45
6301 BHTS ZZ FB 375° Beco Plus	12	37	12	85	2,86	4,15
6302 BHTS ZZ FB 375° Beco Plus	15	42	13	80	3,72	5,40
6303 BHTS ZZ FB 375° Beco Plus	17	47	14	75	4,52	6,55
6304 BHTS ZZ FB 375° Beco Plus	20	52	15	70	5,86	8,50
6305 BHTS ZZ FB 375° Beco Plus	25	62	17	65	11,24	11,4
6306 BHTS ZZ FB 375° Beco Plus	30	72	19	60	13,10	16,3
6307 BHTS ZZ FB 375° Beco Plus	35	80	21	55	16,53	19,0
6308 BHTS ZZ FB 375° Beco Plus	40	90	23	50	17,20	25,0
6309 BHTS ZZ FB 375° Beco Plus	45	100	25	45	22,00	32,0
6310 BHTS ZZ FB 375° Beco Plus	50	110	27	40	26,20	38,0

AVAILABLE ON REQUEST:

6000 SERIE

Designation	Bore (B)	Diam (D)	Width (W)	Speed, RPM	Static Load, kN at 375°C	Static Load, kN at 20°C
6000 BHTS ZZ FB 375° Beco Plus	10	26	8	90	1,35	1,96
6001 BHTS ZZ FB 375° Beco Plus	12	28	8	85	1,63	2,36
6002 BHTS ZZ FB 375° Beco Plus	15	32	9	80	1,97	2,85
6003 BHTS ZZ FB 375° Beco Plus	17	35	10	75	2,24	3,25
6004 BHTS ZZ FB 375° Beco Plus	20	42	12	70	3,45	5,00
6005 BHTS ZZ FB 375° Beco Plus	25	47	12	65	4,03	5,85
6006 BHTS ZZ FB 375° Beco Plus	30	55	13	60	5,52	8,00
6007 BHTS ZZ FB 375° Beco Plus	35	62	14	55	7,17	10,4
6008 BHTS ZZ FB 375° Beco Plus	40	68	15	50	8,14	11,8
6009 BHTS ZZ FB 375° Beco Plus	45	75	16	45	9,86	14,3
6010 BHTS ZZ FB 375° Beco Plus	50	80	16	40	10,76	15,6



Technical characteristics:

- Bearing material: steel AISI 52100 (Chrome) stabilized to the application
- Treatment of manganese phosphate coating on all steel parts of the bearing
- Radial Clearance 4xC5
- Shields type ZZ
- Lubricated for life with BECO grease-compound for temperatures up to 375°C
- Do not need additional lubrication

Fields of application:

- Paint Ovens
- Steel industry
- Furnaces for Ceramic Industry
- Trolley Industry, Trolley for Brick Kilns Industry



12100 Cuneo - Italy

phone: 0039 0171 66883

fax: 0039 0171 648913

www.becoitalia.biz

BHT FB 400°

Extreme Temperature Bearings



6000 SERIE

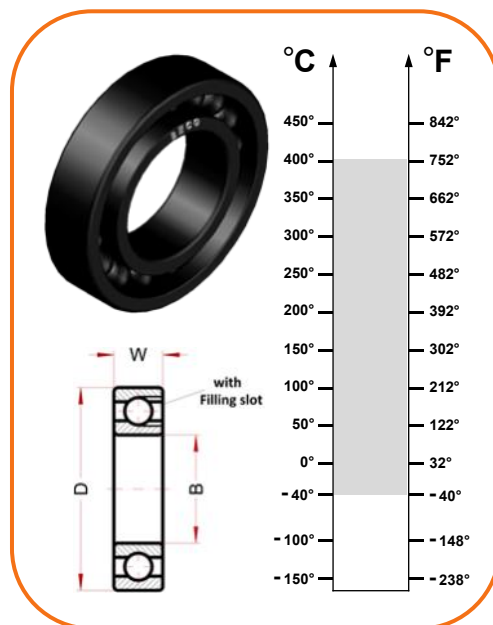
Designation	Bore (B)	Diam (D)	Width (W)	Speed, RPM	Static Load, kN at 400°C	Static Load, kN at 20°C
6000 BHT FB 400°	10	26	8	90	1,35	1,96
6001 BHT FB 400°	12	28	8	85	1,63	2,36
6002 BHT FB 400°	15	32	9	80	1,97	2,85
6003 BHT FB 400°	17	35	10	75	2,24	3,25
6004 BHT FB 400°	20	42	12	70	3,45	5,00
6005 BHT FB 400°	25	47	12	65	4,03	5,85
6006 BHT FB 400°	30	55	13	60	5,52	8,00
6007 BHT FB 400°	35	62	14	55	7,17	10,4
6008 BHT FB 400°	40	68	15	50	8,14	11,8
6009 BHT FB 400°	45	75	16	45	9,86	14,3
6010 BHT FB 400°	50	80	16	40	10,76	15,6
6011 BHT FB 400°	55	90	18	40	14,62	21,2
6012 BHT FB 400°	60	95	18	40	16,00	23,2
6013 BHT FB 400°	65	100	18	40	17,24	25,0
6014 BHT FB 400°	70	110	20	40	21,72	31,5
6015 BHT FB 400°	75	115	20	40	23,45	34,0

6200 SERIE

Designation	Bore (B)	Diam (D)	Width (W)	Speed, RPM	Static Load, kN at 400°C	Static Load, kN at 20°C
6200 BHT FB 400°	10	30	9	90	1,79	2,60
6201 BHT FB 400°	12	32	10	85	2,14	3,10
6202 BHT FB 400°	15	35	11	80	2,59	3,75
6203 BHT FB 400°	17	40	12	75	3,28	4,75
6204 BHT FB 400°	20	47	14	70	4,52	6,55
6205 BHT FB 400°	25	52	15	65	5,52	8,00
6206 BHT FB 400°	30	62	16	60	7,72	11,2
6207 BHT FB 400°	35	72	17	55	10,55	15,3
6208 BHT FB 400°	40	80	18	50	12,41	18,0
6209 BHT FB 400°	45	85	19	45	14,07	20,4
6210 BHT FB 400°	50	90	20	40	16,55	24,0
6211 BHT FB 400°	55	100	21	40	20,00	29,0
6212 BHT FB 400°	60	110	22	40	24,83	36,0
6213 BHT FB 400°	65	120	23	40	28,62	41,5
6214 BHT FB 400°	70	125	24	40	30,34	44,0
6215 BHT FB 400°	75	130	25	40	33,80	49,0

6300 SERIE

Designation	Bore (B)	Diam (D)	Width (W)	Speed, RPM	Static Load, kN at 400°C	Static Load, kN at 20°C
6300 BHT FB 400°	10	35	11	90	2,38	3,45
6301 BHT FB 400°	12	37	12	85	2,86	4,15
6302 BHT FB 400°	15	42	13	80	3,72	5,40
6303 BHT FB 400°	17	47	14	75	4,52	6,55
6304 BHT FB 400°	20	52	15	70	5,86	8,50
6305 BHT FB 400°	25	62	17	65	16,53	11,4
6306 BHT FB 400°	30	72	19	60	11,24	16,3
6307 BHT FB 400°	35	80	21	55	13,10	19,0
6308 BHT FB 400°	40	90	23	50	17,20	25,0
6309 BHT FB 400°	45	100	25	45	22,00	32,0
6310 BHT FB 400°	50	110	27	40	26,20	38,0
6311 BHT FB 400°	55	120	29	40	32,70	47,5
6312 BHT FB 400°	60	130	31	40	35,90	52,0
6313 BHT FB 400°	65	140	33	40	41,38	60,0
6314 BHT FB 400°	70	150	35	40	46,90	68,0
6315 BHT FB 400°	75	160	37	40	52,76	76,5



Technical characteristics:

- Bearing material: steel AISI 52100 (Chrome) stabilized to the application
- Treatment of manganese phosphate coating on all steel parts of the bearing
- Radial Clearance 4x C5
- Bearing running open
- Supplied without lubrication
- Lubrication according customer specification
- Bearing require Relubrication

Fields of application:

- Paint Ovens
- Steel industry
- Furnaces for Ceramic Industry
- Trolley Industry, Trolley for Brick Kilns Industry

BECCO

12100 Cuneo - Italy

phone: 0039 0171 66883

fax: 0039 0171 648913

www.becoitalia.biz

BHT FB 450°

Beco Plus



Extreme Temperature Bearings

6000 SERIE

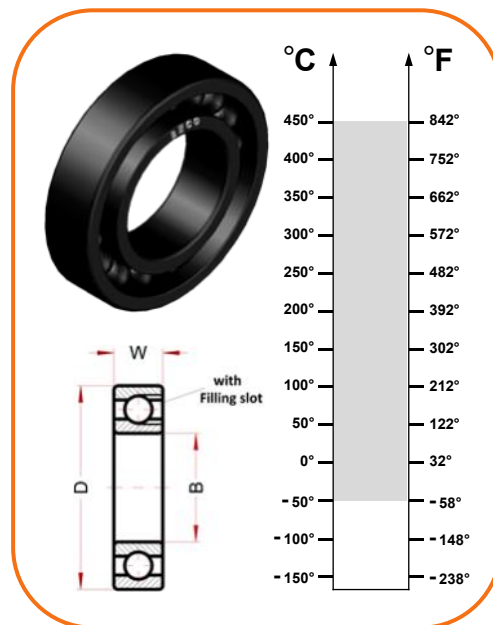
Designation	Bore (B)	Diam (D)	Width (W)	Speed, RPM	Static Load, kN at 450°C	Static Load, kN at 20°C
6000 BHT FB 450° Beco Plus	10	26	8	90	1,22	1,96
6001 BHT FB 450° Beco Plus	12	28	8	85	1,47	2,36
6002 BHT FB 450° Beco Plus	15	32	9	80	1,78	2,85
6003 BHT FB 450° Beco Plus	17	35	10	75	2,03	3,25
6004 BHT FB 450° Beco Plus	20	42	12	70	3,12	5,00
6005 BHT FB 450° Beco Plus	25	47	12	65	3,65	5,85
6006 BHT FB 450° Beco Plus	30	55	13	60	5,00	8,00
6007 BHT FB 450° Beco Plus	35	62	14	55	6,50	10,4
6008 BHT FB 450° Beco Plus	40	68	15	50	7,37	11,8
6009 BHT FB 450° Beco Plus	45	75	16	45	8,93	14,3
6010 BHT FB 450° Beco Plus	50	80	16	40	9,75	15,6
6011 BHT FB 450° Beco Plus	55	90	18	40	13,25	21,2
6012 BHT FB 450° Beco Plus	60	95	18	40	14,50	23,2
6013 BHT FB 450° Beco Plus	65	100	18	40	15,62	25,0
6014 BHT FB 450° Beco Plus	70	110	20	40	19,69	31,5
6015 BHT FB 450° Beco Plus	75	115	20	40	21,25	34,0

6200 SERIE

Designation	Bore (B)	Diam (D)	Width (W)	Speed, RPM	Static Load, kN at 450°C	Static Load, kN at 20°C
6200 BHT FB 450° Beco Plus	10	30	9	90	1,62	2,60
6201 BHT FB 450° Beco Plus	12	32	10	85	1,93	3,10
6202 BHT FB 450° Beco Plus	15	35	11	80	2,34	3,75
6203 BHT FB 450° Beco Plus	17	40	12	75	2,97	4,75
6204 BHT FB 450° Beco Plus	20	47	14	70	4,09	6,55
6205 BHT FB 450° Beco Plus	25	52	15	65	5,00	8,00
6206 BHT FB 450° Beco Plus	30	62	16	60	7,00	11,2
6207 BHT FB 450° Beco Plus	35	72	17	55	9,56	15,3
6208 BHT FB 450° Beco Plus	40	80	18	50	11,2	18,0
6209 BHT FB 450° Beco Plus	45	85	19	45	12,7	20,4
6210 BHT FB 450° Beco Plus	50	90	20	40	15,0	24,0
6211 BHT FB 450° Beco Plus	55	100	21	40	18,1	29,0
6212 BHT FB 450° Beco Plus	60	110	22	40	22,5	36,0
6213 BHT FB 450° Beco Plus	65	120	23	40	25,9	41,5
6214 BHT FB 450° Beco Plus	70	125	24	40	27,5	44,0
6215 BHT FB 450° Beco Plus	75	130	25	40	30,6	49,0

6300 SERIE

Designation	Bore (B)	Diam (D)	Width (W)	Speed, RPM	Static Load, kN at 450°C	Static Load, kN at 20°C
6300 BHT FB 450° Beco Plus	10	35	11	90	2,15	3,45
6301 BHT FB 450° Beco Plus	12	37	12	85	2,60	4,15
6302 BHT FB 450° Beco Plus	15	42	13	80	3,38	5,40
6303 BHT FB 450° Beco Plus	17	47	14	75	4,09	6,55
6304 BHT FB 450° Beco Plus	20	52	15	70	5,30	8,50
6305 BHT FB 450° Beco Plus	25	62	17	65	7,13	11,4
6306 BHT FB 450° Beco Plus	30	72	19	60	10,1	16,3
6307 BHT FB 450° Beco Plus	35	80	21	55	11,8	19,0
6308 BHT FB 450° Beco Plus	40	90	23	50	15,6	25,0
6309 BHT FB 450° Beco Plus	45	100	25	45	20,0	32,0
6310 BHT FB 450° Beco Plus	50	110	27	40	23,7	38,0
6311 BHT FB 450° Beco Plus	55	120	29	40	29,6	47,5
6312 BHT FB 450° Beco Plus	60	130	31	40	32,5	52,0
6313 BHT FB 450° Beco Plus	65	140	33	40	37,5	60,0
6314 BHT FB 450° Beco Plus	70	150	35	40	42,5	68,0
6315 BHT FB 450° Beco Plus	75	160	37	40	47,8	76,5



Technical characteristics:

- Bearing material: steel AISI 52100 (Chrome) stabilized to the application
- Treatment of manganese phosphate coating on all steel parts of the bearing + Treatment of ceramic coating
- Radial Clearance 4x C5
- Bearing running open
- Dry Lubrication

Fields of application:

- Pyrolysis Oven
- Steel industry
- Furnaces for Ceramic Industry
- Trolley Industry, Trolley for Brick Kilns Industry

BECCO

12100 Cuneo - Italy

phone: 0039 0171 66883

fax: 0039 0171 648913

www.becoitalia.biz

BLS ZZ -70°

Low Temperature Bearings



6000 SERIE

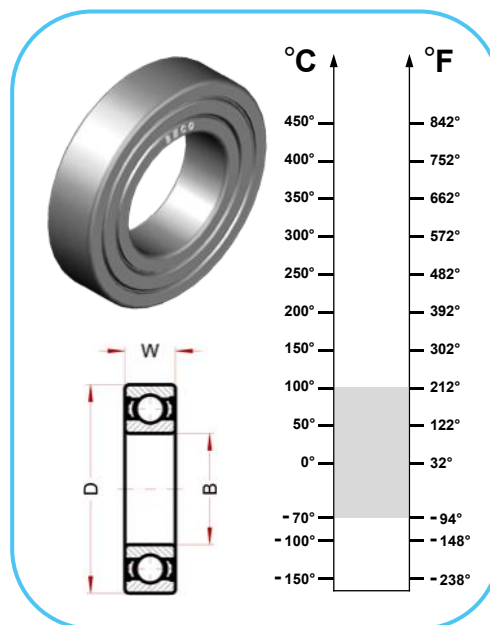
Designation	Bore (B)	Diam (D)	Width (W)	Speed, RPM	Static Load, kN at -70°C	Static Load, kN at 20°C
6000 BLS ZZ -70°	10	26	8	6000	1,57	1,96
6001 BLS ZZ -70°	12	28	8	5800	1,89	2,36
6002 BLS ZZ -70°	15	32	9	5600	2,28	2,85
6003 BLS ZZ -70°	17	35	10	5400	2,60	3,25
6004 BLS ZZ -70°	20	42	12	5200	4,00	5,00
6005 BLS ZZ -70°	25	47	12	4800	4,68	5,85
6006 BLS ZZ -70°	30	55	13	4400	6,40	8,00
6007 BLS ZZ -70°	35	62	14	4000	8,32	10,4
6008 BLS ZZ -70°	40	68	15	3600	9,44	11,8
6009 BLS ZZ -70°	45	75	16	3200	11,44	14,3
6010 BLS ZZ -70°	50	80	16	2800	12,48	15,6
6011 BLS ZZ -70°	55	90	18	2400	16,96	21,2
6012 BLS ZZ -70°	60	95	18	2000	18,56	23,2
6013 BLS ZZ -70°	65	100	18	1800	20,00	25,0
6014 BLS ZZ -70°	70	110	20	1600	25,20	31,5
6015 BLS ZZ -70°	75	115	20	1400	27,20	34,0
6016 BLS ZZ -70°	80	125	22	1200	32,00	40,0
6017 BLS ZZ -70°	85	130	22	1000	34,32	42,9
6018 BLS ZZ -70°	90	140	24	900	39,92	49,9
6019 BLS ZZ -70°	95	145	24	800	43,16	53,9
6020 BLS ZZ -70°	100	150	24	700	43,16	53,9

6200 SERIE

Designation	Bore (B)	Diam (D)	Width (W)	Speed, RPM	Static Load, kN at -70°C	Static Load, kN at 20°C
6200 BLS ZZ -70°	10	30	9	5800	2,08	2,60
6201 BLS ZZ -70°	12	32	10	5600	2,48	3,10
6202 BLS ZZ -70°	15	35	11	5400	3,00	3,75
6203 BLS ZZ -70°	17	40	12	5200	3,80	4,75
6204 BLS ZZ -70°	20	47	14	4800	5,24	6,55
6205 BLS ZZ -70°	25	52	15	4400	6,40	8,00
6206 BLS ZZ -70°	30	62	16	4000	8,96	11,2
6207 BLS ZZ -70°	35	72	17	3600	12,2	15,3
6208 BLS ZZ -70°	40	80	18	3200	14,4	18,0
6209 BLS ZZ -70°	45	85	19	2800	16,3	20,4
6210 BLS ZZ -70°	50	90	20	2400	19,2	24,0
6211 BLS ZZ -70°	55	100	21	2000	23,2	29,0
6212 BLS ZZ -70°	60	110	22	1800	28,8	36,0
6213 BLS ZZ -70°	65	120	23	1600	33,2	41,5
6214 BLS ZZ -70°	70	125	24	1400	35,2	44,0
6215 BLS ZZ -70°	75	130	25	1200	39,2	49,0
6216 BLS ZZ -70°	80	140	26	1000	44,0	55,0
6217 BLS ZZ -70°	85	150	28	900	51,2	64,0
6218 BLS ZZ -70°	90	160	30	800	58,8	73,5
6219 BLS ZZ -70°	95	170	32	700	65,2	81,5
6220 BLS ZZ -70°	100	180	34	600	74,4	93,0

6300 SERIE

Designation	Bore (B)	Diam (D)	Width (W)	Speed, RPM	Static Load, kN at -70°C	Static Load, kN at 20°C
6300 BLS ZZ -70°	10	35	11	5600	2,48	3,10
6301 BLS ZZ -70°	12	37	12	5400	2,96	3,70
6302 BLS ZZ -70°	15	42	13	5200	3,84	4,80
6303 BLS ZZ -70°	17	47	14	4800	4,64	5,80
6304 BLS ZZ -70°	20	52	15	4400	6,08	7,60
6305 BLS ZZ -70°	25	62	17	4000	8,16	10,2
6306 BLS ZZ -70°	30	72	19	3600	11,68	14,6
6307 BLS ZZ -70°	35	80	21	3200	13,68	17,1
6308 BLS ZZ -70°	40	90	23	2800	18,00	22,5
6309 BLS ZZ -70°	45	100	25	2400	23,04	28,8
6310 BLS ZZ -70°	50	110	27	2000	27,36	34,2
6311 BLS ZZ -70°	55	120	29	1800	34,16	42,7
6312 BLS ZZ -70°	60	130	31	1600	37,44	46,8
6313 BLS ZZ -70°	65	140	33	1400	43,20	54,0
6314 BLS ZZ -70°	70	150	35	1200	48,96	61,2
6315 BLS ZZ -70°	75	160	37	1000	55,04	68,8
6316 BLS ZZ -70°	80	170	39	900	62,24	77,8
6317 BLS ZZ -70°	85	180	41	800	69,44	86,8
6318 BLS ZZ -70°	90	190	43	700	77,76	97,2
6319 BLS ZZ -70°	95	200	45	600	84,96	106,2
6320 BLS ZZ -70°	100	215	47	500	100,8	126,0



Technical characteristics:

- Bearing material: steel AISI 52100 (Chrome) stabilized to the application
- Radial Clearance C4
- Shields type ZZ
- Lubricated for life with grease for temperatures down to -70°C
- Do not need additional lubrication

Fields of application:

- Installations for the production of gas
- Equipment for refrigeration rooms
- Facilities for ski resorts
- Special vehicles for arctic use

BECCO

12100 Cuneo - Italy
 phone: 0039 0171 66883
 fax: 0039 0171 648913
www.becoitalia.biz