

BHTS ZZ C4 220°

Beco Plus



Rolamentos para altas temperaturas

SERIE 6000

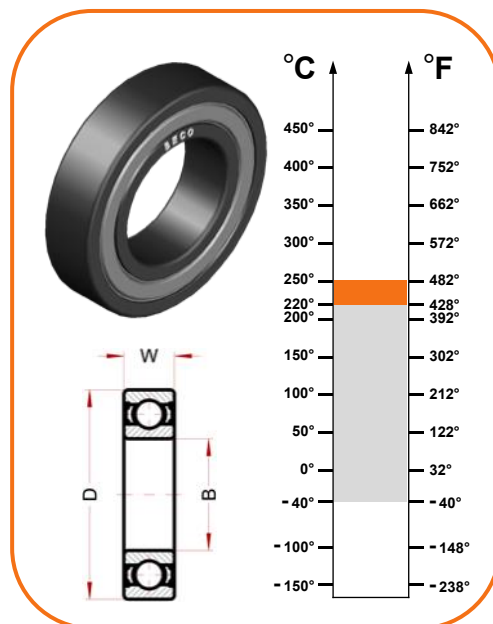
Designação	Furo (B)	Diam (D)	Larg. (W)	Veloci. RPM	Carga estát. kN a 250°C	Carga estát. kN a 20°C
6000 BHTS ZZ C4 220° Beco Plus	10	26	8	4200	1,50	1,96
6001 BHTS ZZ C4 220° Beco Plus	12	28	8	4060	1,79	2,36
6002 BHTS ZZ C4 220° Beco Plus	15	32	9	3920	2,13	2,85
6003 BHTS ZZ C4 220° Beco Plus	17	35	10	3780	2,46	3,25
6004 BHTS ZZ C4 220° Beco Plus	20	42	12	3640	3,83	5,00
6005 BHTS ZZ C4 220° Beco Plus	25	47	12	3360	4,42	5,85
6006 BHTS ZZ C4 220° Beco Plus	30	55	13	3080	6,12	8,00
6007 BHTS ZZ C4 220° Beco Plus	35	62	14	2800	7,91	10,4
6008 BHTS ZZ C4 220° Beco Plus	40	68	15	2520	9,01	11,8
6009 BHTS ZZ C4 220° Beco Plus	45	75	16	2240	10,88	14,3
6010 BHTS ZZ C4 220° Beco Plus	50	80	16	1960	11,90	15,6
6011 BHTS ZZ C4 220° Beco Plus	55	90	18	1680	16,15	21,2
6012 BHTS ZZ C4 220° Beco Plus	60	95	18	1400	17,10	23,2
6013 BHTS ZZ C4 220° Beco Plus	65	100	18	1260	19,13	25,0
6014 BHTS ZZ C4 220° Beco Plus	70	110	20	1120	22,84	31,5
6015 BHTS ZZ C4 220° Beco Plus	75	115	20	980	24,05	34,0

SERIE 6200

Designação	Furo (B)	Diam (D)	Larg. (W)	Veloci. RPM	Carga estát. kN a 250°C	Carga estát. kN a 20°C
6200 BHTS ZZ C4 220° Beco Plus	10	30	9	4060	1,96	2,60
6201 BHTS ZZ C4 220° Beco Plus	12	32	10	3920	2,38	3,10
6202 BHTS ZZ C4 220° Beco Plus	15	35	11	3780	2,81	3,75
6203 BHTS ZZ C4 220° Beco Plus	17	40	12	3640	3,57	4,75
6204 BHTS ZZ C4 220° Beco Plus	20	47	14	3360	5,02	6,55
6205 BHTS ZZ C4 220° Beco Plus	25	52	15	3080	6,12	8,00
6206 BHTS ZZ C4 220° Beco Plus	30	62	16	2800	8,50	11,2
6207 BHTS ZZ C4 220° Beco Plus	35	72	17	2520	11,65	15,3
6208 BHTS ZZ C4 220° Beco Plus	40	80	18	2240	13,77	18,0
6209 BHTS ZZ C4 220° Beco Plus	45	85	19	1960	15,56	20,4
6210 BHTS ZZ C4 220° Beco Plus	50	90	20	1680	18,36	24,0
6211 BHTS ZZ C4 220° Beco Plus	55	100	21	1400	22,19	29,0
6212 BHTS ZZ C4 220° Beco Plus	60	110	22	1260	27,34	36,0
6213 BHTS ZZ C4 220° Beco Plus	65	120	23	1120	31,71	41,5
6214 BHTS ZZ C4 220° Beco Plus	70	125	24	980	33,66	44,0
6215 BHTS ZZ C4 220° Beco Plus	75	130	25	840	37,49	49,0

SERIE 6300

Designação	Furo (B)	Diam (D)	Larg. (W)	Veloci. RPM	Carga estát. kN a 250°C	Carga estát. kN a 20°C
6300 BHTS ZZ C4 220° Beco Plus	10	35	11	3920	2,64	3,45
6301 BHTS ZZ C4 220° Beco Plus	12	37	12	3780	3,15	4,15
6302 BHTS ZZ C4 220° Beco Plus	15	42	13	3640	4,08	5,40
6303 BHTS ZZ C4 220° Beco Plus	17	47	14	3360	4,93	6,55
6304 BHTS ZZ C4 220° Beco Plus	20	52	15	3080	6,40	8,50
6305 BHTS ZZ C4 220° Beco Plus	25	62	17	2800	8,67	11,4
6306 BHTS ZZ C4 220° Beco Plus	30	72	19	2520	12,4	16,3
6307 BHTS ZZ C4 220° Beco Plus	35	80	21	2240	14,5	19,0
6308 BHTS ZZ C4 220° Beco Plus	40	90	23	1960	19,1	25,0
6309 BHTS ZZ C4 220° Beco Plus	45	100	25	1680	24,3	32,0
6310 BHTS ZZ C4 220° Beco Plus	50	110	27	1400	29,1	38,0
6311 BHTS ZZ C4 220° Beco Plus	55	120	29	1260	36,3	47,5
6312 BHTS ZZ C4 220° Beco Plus	60	130	31	1120	39,8	52,0
6313 BHTS ZZ C4 220° Beco Plus	65	140	33	980	45,9	60,0
6314 BHTS ZZ C4 220° Beco Plus	70	150	35	840	52,0	68,0
6315 BHTS ZZ C4 220° Beco Plus	75	160	37	700	58,5	76,5



Características técnicas:

- Material do rolamento: aço AISI 52100 (Cromado) estabilizado para a aplicação
- Folga radial C4
- Blindagens ZZ
- Anéis de rolamentos com revestimento de fosfato de manganês (excluindo a pista de esferas)
- Lubrificado para toda a vida com PTFE baseado em massa livre de silicone para temperaturas até 260°C
- Não precisa de lubrificação adicional

Campos de aplicação:

- Transportadores aéreos
- Ventiladores industriais
- Maquinaria de embalagem
- Indústria siderúrgica
- Indústria cerâmica
- Indústria do papel

BECCO

12100 Cuneo - Italy

phone: 0039 0171 66883

fax: 0039 0171 648913

www.becoitalia.biz